

(12) INTERNATIONAL APPLICATION PUBLISHED UNDER THE PATENT COOPERATION TREATY (PCT)

(19) World Intellectual Property Organization
International Bureau



(43) International Publication Date
28 February 2002 (28.02.2002)

PCT

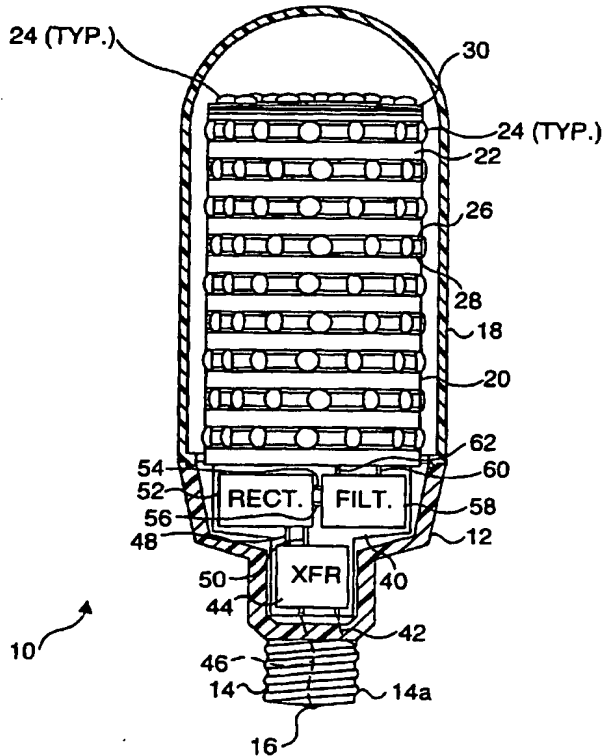
(10) International Publication Number
WO 02/17690 A1

- (51) International Patent Classification⁷: H05B 37/00
- (21) International Application Number: PCT/US01/25053
- (22) International Filing Date: 9 August 2001 (09.08.2001)
- (25) Filing Language: English
- (26) Publication Language: English
- (30) Priority Data:
09/644,253 22 August 2000 (22.08.2000) US
- (71) Applicant: LIGHT SCIENCES CORPORATION [US/US]; 1065 12th Avenue NW, Suite E-2, Issaquah, WA 98027 (US).
- (72) Inventors: CHEN, James; 2011 - 87th Place N.E., Bellevue, WA 98004 (US). WISCOMBE, Brent; 3014 East
- (57) Abstract: A lamp (10) using solid-state light emitting sources (24) is configured to be used in a conventional socket. The lamp includes a flexible substrate (22) on which are mounted a plurality of light emitting sources (24), such as light emitting diodes "LEDs" in spaced-apart array. A flexible substrate (22) configured as a generally rectangular panel formed into a cylindrical shape includes a plurality of conductive traces (26,28) to which the LEDs are connected both mechanically and electrically. The flexible substrate (22) is then enclosed within a light transmissive translucent cover (18). The base (12) is shaped and configured to be threaded into a conventional incandescent light socket (one- or three-way) and includes a center terminal 16 through which AC line power is supplied to a power supply in the base. In a different embodiment, the light sources (24) are mounted on a flexible substrate formed as a strand or thread (68) that is wound in a helix around a cylindrical support (76).
- (74) Agent: ANDERSON, Ronald; Law Offices of Ronald M. Anderson, 600 108th Avenue N.E. Suite 507, Bellevue, WA 98004 (US).
- (81) Designated States (national): AU, CA, JP.
- (84) Designated States (regional): European patent (AT, BE, CH, CY, DE, DK, ES, FI, FR, GB, GR, IE, IT, LU, MC, NL, PT, SE, TR).
- Published: with international search report

(54) Title: FLEXIBLE SUBSTRATE MOUNTED SOLID-STATE LIGHT SOURCES FOR USE IN LINE CURRENT LAMP SOCKETS



WO 02/17690 A1



(57) Abstract: A lamp (10) using solid-state light emitting sources (24) is configured to be used in a conventional socket. The lamp includes a flexible substrate (22) on which are mounted a plurality of light emitting sources (24), such as light emitting diodes "LEDs" in spaced-apart array. A flexible substrate (22) configured as a generally rectangular panel formed into a cylindrical shape includes a plurality of conductive traces (26,28) to which the LEDs are connected both mechanically and electrically. The flexible substrate (22) is then enclosed within a light transmissive translucent cover (18). The base (12) is shaped and configured to be threaded into a conventional incandescent light socket (one- or three-way) and includes a center terminal 16 through which AC line power is supplied to a power supply in the base. In a different embodiment, the light sources (24) are mounted on a flexible substrate formed as a strand or thread (68) that is wound in a helix around a cylindrical support (76).

**FLEXIBLE SUBSTRATE MOUNTED SOLID-STATE LIGHT SOURCES
FOR USE IN LINE CURRENT LAMP SOCKETS**

Field of the Invention

5 This invention generally pertains to a flexible substrate on which a plurality of light sources are mounted, and more specifically, to a plurality of solid-state light sources mounted on a flexible substrate for use in a lamp to provide room illumination.

Background of the Invention

10 Incandescent bulbs are one of the least efficient light sources, yet they still comprise a substantial portion of the lighting used in homes and businesses. It has long been recognized that fluorescent lighting and halogen lamps produce light much more efficiently and last substantially longer, yet even in new construction, incandescent bulbs are often used instead of the more efficient alternative types of bulbs. One of the causes delaying the general acceptance and greater use of more
15 efficient lighting has been the initial cost of non-incandescent lighting. Although the total cost of installation and the energy required for operating non-incandescent lighting systems is substantially less than incandescent lighting, the initial cost can be significant and often discourages the installation of alternative lighting fixtures. Moreover, home and business owners are often
20 reluctant to replace an incandescent bulb fixture with a relatively expensive fluorescent lamp and ballast assembly or other alternative lighting fixture.

Recognizing that the cost and difficulty of replacing incandescent lighting fixtures has been a significant deterrent to the acceptance of alternative lighting in new installations and the replacement of incandescent lamps with alternative
25 lighting systems, several different compact fluorescent lamp and ballast assemblies have been developed that include a conventional incandescent lamp threaded base and which are sized to retrofit incandescent lamps in conventional incandescent lamp sockets. By using such retrofit fluorescent lamps, the need to replace the incandescent lamp with a separate ballast and other components of the
30 type normally required for a fluorescent lamp is avoided. Although retrofit

fluorescent lamps are substantially more expensive than the incandescent bulbs they replace, the retrofit lamps have a much longer expected life and use much less electrical power to produce a light output equivalent to that of the incandescent bulb that they replace.

5 Unfortunately, many people are unwilling to pay the cost of a retrofit fluorescent lamp, even though they may recognize that these lamps will provide long-term savings. The problem appears to be that the initial cost of retrofit fluorescent lamps is too high and the non-incandescent lamps, although they may last for several thousand hours, will eventually dim and fail, requiring
10 replacement. What is needed is a different type of alternative lamp for retrofitting incandescent lamps that can be made and marketed at a substantially lower cost than conventional retrofit fluorescent lamps, and which will provide greater efficiency and longer life.

Light emitting diodes (LEDs) have recently been developed that produce
15 white light at a substantially greater intensity than earlier LEDs of this type. In the prior art, U.S. Patent No. 5,463,280 (Johnson) discloses an LED retrofit lamp for use in replacing incandescent lamps employed in EXIT signs and the like. Instead of requiring up to 20 watts of a conventional incandescent light bulb used in an EXIT sign, this retrofit LED lamp produces about the same output level of
20 light, only consumes about two watts of power, and can operate for at least 25 years. As described in this patent, a plurality of LEDs emitting red light (peak wavelength of 650-670 nm) are mounted on elongate printed circuit (PC) boards in a linear, spaced-apart array. The PC boards include conductors that electrically connect the LEDs in series. Two such PC boards are stacked back-to-back and
25 connected to an alternating current (AC) line power source through a current limiting circuit. In one embodiment, the current limiting circuit includes a capacitor connected in series between the AC line and a rectifier. In another embodiment, a resistor is used to limit the current to a rectifier and through the series-connected LEDs. In still another embodiment, a switching power supply
30 provides current to the LEDs. While the invention disclosed in this reference may be suitable for its disclosed intended use, it is not suitable for providing general ambient or task lighting, because the light emitted by the LEDs is red in color and is not uniformly distributed around the elongate glass tube in which the PC boards and current limiting power supply are housed. Instead, the light is concentrated at
35 diametrically opposite sides of the back-to-back PC boards, which is acceptable in an exit sign that is only visible from opposite sides. Also, if any LED should fail in the series-connected string disclosed in this prior art patent by becoming

open-circuited, the failure will likely cause the entire string of LEDs to stop producing light. Clearly, this prior art device is not acceptable as a retrofit for incandescent bulbs used for general ambient room and task lighting. A more suitable solution is required if LED light sources are to be usable as replacements
5 for incandescent bulbs in general ambient and task light applications.

Summary of the Invention

In accord with the present invention, a lamp is defined for use in a conventional line current powered incandescent lamp socket, for providing area or task lighting. The lamp includes a base that is adapted to electrically and
10 mechanically engage a conventional lamp socket and thus, to receive an alternating current (AC) via electrical terminals disposed on the base. A power supply is electrically connected to the electrical terminals on the base and receives the AC at a line voltage. The power supply limits a voltage and a magnitude of an electrical current produced at an output of the power supply. A flexible substrate
15 on which a plurality of electrical conductors is disposed is included within the lamp. The flexible substrate is formed to generally define a cylinder that has one end disposed adjacent to the base. The plurality of electrical conductors are electrically connected to the output of the power supply. A plurality of solid-state light sources are mounted on an outer surface of the flexible substrate in a spaced-apart array, so that light emitted by the solid-state light sources when they
20 are electrically energized is distributed radially about an entire circumference of the lamp. Each of the solid-state light sources is electrically connected to the plurality of electrical conductors disposed on the flexible substrate, so that the light sources are energized by the electrical current from the power supply. A
25 generally cylindrical light transmissive envelope having an end attached to the base encloses the flexible substrate and the plurality of solid-state light sources. This light transmissive envelope protects the plurality of solid-state light sources, while transmitting the light that they emit.

Preferably, the plurality of solid-state light sources comprise light emitting
30 diodes that emit a white light, although it is also contemplated that other types of solid-state light sources can instead be used.

The plurality of conductors disposed on the flexible substrate are preferably configured to electrically couple at least a portion of the plurality of solid-state light sources in parallel. In at least one preferred form of the invention,
35 the power supply includes a transformer, and can also include a rectifier. The power supply is preferably disposed inside the base of the lamp.

Either a conductive adhesive or solder can be used to mount the plurality of solid-state light sources on the flexible substrate. In one embodiment, the plurality of solid-state light sources each include at least one terminal that is coupled to at least one of the plurality of conductors on the flexible substrate by a
5 conductive lead.

A cylindrical support is employed for the flexible substrate in one embodiment, and the flexible substrate comprises an elongate thread on which the plurality of solid-state light sources are mounted in a linearly spaced-apart array. The elongate thread is helically wound around an outer surface of the cylindrical
10 support, with the plurality of solid-state light sources disposed so as to emit light radially outward relative to a central axis of the cylindrical support.

For use in retrofitting a conventional three-way light bulb, the base includes three electrical terminals that are adapted to electrically connect with corresponding terminals of a three-way incandescent lamp socket. The three
15 electrical terminals of the base are connected to corresponding different input terminals of the power supply. In this embodiment, the plurality of solid-state light sources are divided into at least two portions, and the power supply responds to application of an AC line voltage to specific input terminals to selectively energize the portions of the plurality of solid-state light sources, thereby varying a
20 light intensity produced by the lamp as a function of the input terminals of the power supply that are energized with the AC line voltage.

The flexible substrate, or cylindrical support, preferably also includes an outer end on which a plurality of the solid-state light sources are also mounted in a spaced-apart array.

25 **Brief Description of the Drawing Figures**

The foregoing aspects and many of the attendant advantages of this invention will become more readily appreciated as the same becomes better understood by reference to the following detailed description, when taken in conjunction with the accompanying drawings, wherein:

30 **FIGURE 1** is a cross-sectional view of a first embodiment of a lamp in accord with the present invention;

FIGURE 2 is a flexible substrate and a plurality of solid-state light sources for use in the lamp of **FIGURE 1**;

35 **FIGURE 3** is a cross-sectional view of a second embodiment of a lamp that includes a flexible substrate strand on which are mounted a plurality of solid-state light sources;

FIGURE 4 is a section of the flexible substrate strand that is helically coiled around a support in the embodiment of FIGURE 3;

FIGURE 5 is an elevational view showing a top portion of the support of FIGURE 4 on which the flexible substrate strand extends in a helical coil;

5 FIGURE 6 is an elevational view of a conventional table lamp for a three-way incandescent bulb that has been retrofitted with a three-way lamp configured in accord with the present invention;

FIGURE 7 is a bottom view of the three-way lamp shown in FIGURE 6;

10 FIGURES 6 and 7, illustrating the leads connected to the terminals on the base;

FIGURE 9 is a schematic block diagram illustrating a simple power supply for the three-way lamp of FIGURE 6;

15 FIGURE 10 is an elevational view of a solid-state light array formed by wrapping a double helix of the flexible substrate strands shown in FIGURE 4 around a central cylindrical support;

FIGURE 11 is an elevational view showing a top portion of the support of FIGURE 10 on which the flexible substrate strands extend in double helical coils;

FIGURE 12 is an enlarged isometric view of a portion of a solid-state light array mounted on the flexible substrate strand shown in FIGURE 4;

20 FIGURE 13 is an isometric view of a portion of a different embodiment of a solid-state array on a flexible substrate strand; and

FIGURE 14 is an enlarged cross-sectional view of the flexible substrate strand shown in FIGURE 13.

Description of the Preferred Embodiments

25 FIGURES 1 and 2 show details of a first embodiment of a lamp in accord with the present invention, which is designed for use in a conventional AC light socket, for example, to replace or retrofit a conventional incandescent bulb. In terms of its external appearance, a lamp 10, which is shown in the cutaway view of FIGURE 1, may appear similar to fluorescent lamps that are designed for use in
30 incandescent lamp sockets. However, unlike fluorescent lamps, the present invention does not use a fluorescent tube as a light source. Furthermore, it has a substantially longer expected life than such fluorescent lamps do and a much, much longer expected lifetime than a conventional incandescent lamp. It should also use substantially less power than even fluorescent lamp assemblies of
35 equivalent light output.

Lamp 10 includes an injection molded plastic base 12 fabricated from an appropriate plastic material, with a hollow interior. Attached to the smallest

diameter portion of base 12 is a threaded metallic terminal 14, on which are formed threads 14a that are sized and configured to mate with corresponding threads provided in a conventional lamp socket. Electrically isolated from the metallic threads by an appropriate insulator (not shown in this view) is a center
5 terminal 16, formed in the center of the end of base 12, and disposed so as to contact a corresponding terminal in a conventional incandescent lamp socket.

A translucent, but generally light transmissive cylindrical cover 18 is attached to base 12. Cover 18 is formed as a cylinder having a curved, closed end opposite the end that attaches to base 12. Cover 18 is adhesively connected to
10 base 12 or alternatively, is threaded into base 12, or connected thereto by an appropriate plurality of fasteners (not shown). Cover 18 encloses and protects a light source array 20 that is disposed inside the cover.

Light source array 20 includes a flexible substrate 22 that is initially fabricated in the form of the rectangular panel shown in FIGURE 2, but the panel
15 is then wrapped into a cylindrical shape, as shown in FIGURE 1. Light source array 20 includes a plurality of spaced-apart solid-state light sources 24, which preferably comprise LEDs. However, it is also contemplated that other solid-state light emitting sources can also be used in place of LEDs, such as laser diodes. Each of the light emitting sources are mounted in electrical contact with pairs of
20 generally parallel extending (i.e., on the flat panel) conductive traces 26 and 28 that extend around the cylindrical shape when light source array 20 is formed into the cylinder for use in lamp 10. Connected to the upper edge of flexible substrate 22 is a generally circular flap 30 of the flexible substrate material. Conductive traces 26' and 28' extend in generally concentric circles on flap 30
25 and are connected through conductive traces 26'' and 28'' to conductive traces 26 and 28. Additional light emitting sources 24 are also connected to conductive traces 26' and 28', as shown in FIGURE 2.

Flexible substrate 22 is fabricated from an extremely flexible plastic material and is relatively thin to insure that it is sufficiently flexible to be formed
30 into the cylindrical shape shown in FIGURE 1 and to enable flap 30 to be folded downwardly to close the end of the cylindrical shape. When energized, light emitting sources 24 produce a substantially white light in the preferred embodiment, and this light is directed radially outward from a central axis of the cylindrical shape of light source array 20, through cover 18. Because cover 18 is
35 preferably translucent or internally frosted, the light emitted from the lamp is diffuse and does not appear to be emitted from discrete light emitting sources 24. Cover 18 is preferably made from a plastic material, but may alternatively be

made of glass that is preferably "frosted" on the interior, or another type of translucent ceramic material can also be used instead of plastic or glass.

An electrical current at an appropriate voltage and current level is supplied to conductive traces 26 and 28, and 26' and 28' from a power supply board 40, which is disposed within base 12. Each conductive trace 26/26' is electrically
5 connected to a vertically extending conductive trace 32, and each conductive trace 28/28' is electrically connected to a vertically extending conductive trace 34. Vertically extending conductive traces 32 and 34 are disposed at opposite ends of flexible substrate 22, as shown in FIGURE 2. The ends of flexible substrate 22
10 adjacent to the vertically extending conductive traces are adhesively joined together using a strip of adhesive tape or other appropriate adhesive, care being taken to prevent vertically extending conductive traces 32 and 34 from contacting each other and electrically shorting.

In the embodiment shown in FIGURE 1, power supply circuit board 40
15 includes a transformer 44, a full-wave rectifier 52, and a filter 58. Transformer 44 is connected to threaded terminal 14 through a lead 42 that extends within the base, and to center terminal 16 through a lead 46, which also extends through the interior of base 12. The transformer receives an AC line voltage input from threaded terminal 14 and center terminal 16, producing a substantially lower
20 output voltage that is conveyed through conductive traces 48 and 50 on power supply circuit board 40 and input to full-wave rectifier 52. The full-wave rectifier converts the lower AC voltage applied to its input to a full-wave rectified DC output that is input to filter 58 through conductive traces 54 and 56. Filter 58
25 smoothes the filtered DC that is input to it, producing a DC signal of the appropriate voltage, e.g., 3-5 volts, and with sufficient current to energize each of the plurality of light emitting sources 24 used within lamp 10, i.e., from about 5 ma to about 30 ma of current/lamp. Since in this embodiment, the light emitting sources are generally all connected in parallel to conductive traces 26 and 28, and 26' and 28', each of the light sources receives substantially the same voltage,
30 and the required current will depend upon the number of LEDs used in the array. Since only a few milliamps of current at a relatively low voltage are required for each light emitting source, the total power requirement for lamp 10 is relatively low, yet it produces a light output equivalent to a substantially higher-power rated incandescent bulb. For example, it is estimated that a lamp in accord with the
35 present invention, having 72 LEDs producing white light at an intensity approximately equal to that of a conventional 60 watt incandescent bulb, would only consume from about 8 watts to about 10 watts of power.

It should be noted that if LEDs are used for light emitting sources in lamp 10, rectifier 52 is not essential, since the LEDs themselves function as a rectifier, enabling current to flow in only one direction through the device when producing light. However, if rectifier 52 is omitted, the LEDs will only be energized during half of the power cycle, which will substantially reduce the total light output of lamp 10.

Turning now to FIGURE 3, a lamp 10' that is configured somewhat differently than lamp 10 is illustrated. Although appearing virtually identical from the outside, lamp 10' does not employ a cylindrically-shaped flexible substrate like that illustrated in FIGURES 1 and 2. In lamp 10', a flexible substrate strand 68, a portion of which is shown in FIGURE 4, is employed. Flexible substrate strand 68 comprises substantially the same type of material as flexible substrate 22, but instead of being formed as a sheet on which a plurality of the light emitting sources are disposed in spaced-apart array in two dimensions, flexible substrate strand 68 is formed in an elongate shape having a width about equal to that of each light emitting source 24, and a substantially longer length. Conductive traces 70 and 72 extend generally parallel to each other along opposite sides of the top surface of a flexible substrate 74 (in FIGURE 4) comprising flexible substrate strand 68. Light emitting sources 24 are then electrically and mechanically mounted to conductive traces 70 and 72 so that the light emitting sources are energized by an electrical current conveyed thereby. In lamp 10', a cylinder 76 fabricated of plastic, phenolic resin, or other lightweight preferably electrically insulating material provides a support for flexible substrate strand 68, which is wrapped around cylindrical support 76 in a helical spiral. As shown in FIGURE 5, cylindrical support 76 is attached to a circular disk 66 forming an end 30' for the cylindrically-shaped support, which closes one end thereof and supports the light emitting sources at that end so that the light that they produce is directed through the end of cover 18.

In lamp 10', a power supply board 40' uses different components to provide the electrical current required to energize each of light emitting sources 24 that are mounted on flexible substrate strand 68. In power supply board 40', a capacitor 80 couples the voltage supplied from center terminal 16 through lead 46, to a limiting resistor 84, which is connected to the capacitor through a conductive trace 82. Thus, capacitor 80 and resistor 84 couple and limit AC current from the AC line source that is applied to a full-wave rectifier 88, which is connected to the threaded terminal through a conductor 90. Full-wave rectifier 88 converts the AC input to it into a direct current, which is supplied

through conductive traces 70 and 72 to flexible substrate strand 68 to energize light emitting sources 24.

It is also contemplated that a lamp in accord with the present invention may be used in a conventional three-way light socket of the type in which a switch having four positions (off, low light output level, medium light output level, and full light output level) is used to selectively control the brightness of the light produced by a conventional three-way incandescent bulb. In a conventional three-way incandescent bulb, two filaments are provided and typically rated for different wattage, for example, 50 watts and 75 watts. In this example, when the switch on a conventional three-way light socket is rotated from its off position to the low light output level position, only the 50 watt filament is energized. Upon rotating the switch to the next position, the 50 watt filament is de-energized, and only the 75 watt filament is energized. Finally, when the switch is rotated to the position for full light output level, both the 50 watt and 75 watt filaments are energized. The next rotation of the switch de-energizes both filaments in the light bulb.

A lamp 96, which is constructed in accord with the present invention, can be used in a conventional three-way lamp socket in place of or as a retrofit for a conventional incandescent three-way light bulb. In FIGURE 6, lamp 96 is shown in use in a conventional three-way light fixture 100 having a lamp base 102 with a three-way light socket 104 and a four-position switch 106. AC power is supplied to three-way socket 104 through an AC line cord 108. As is true of a conventional incandescent three-way light, lamp 96 includes threaded terminal 14 with threads 14a and center terminal 16, but also includes an annular terminal 112 around center terminal 16. Center terminal 16, annular terminal 112, and threaded terminal 14 are separated electrically from each other by insulating material 110.

FIGURES 7 and 8 illustrate details of the central, annular, and threaded terminals used on lamp 96. As shown in FIGURES 8 and 9, a conductor 114 connects annular terminal 112 to a node 132 within a power supply 120, while conductor 46 connects center terminal 16 to a node 134 and a conductor 116 connects the threaded terminal or neutral of the AC line to a node 136 in the power supply, which is grounded, i.e., is connected to the neutral side of the AC line. Node 132 is connected through a resistor 128 that limits current to each of the light emitting sources within a light string 68' mounted on a flexible substrate strand 122. A resistor 130 limits the current from node 134 that is supplied to a light string 68'', which is mounted on a different flexible substrate strand (not separately shown in this Figure, but generally similar to flexible substrate

strand 122). Light strings A and B, which are identified by reference numbers 68' and 68'', respectively, generally correspond in function to the two filaments used in a conventional three-way incandescent light bulb. It should be noted that power supply 120 is substantially simpler than the power supplies previously illustrated. However, it is also contemplated that transformers, rectifiers, and filters can be used with this embodiment, or alternatively, a coupling capacitor and a rectifier can be added to the power supply shown in FIGURE 120. Further, light string A and light string B may include different numbers of light emitting sources so that a different light output is produced by each of the two light strings.

As a further alternative, a power supply can be provided that includes a triac so that a single light string can be employed instead of two light strings. The light output of the single light string can then be controlled with an electronic switch that is activated by the power provided through the annular terminal and/or center terminal, to control the voltage and/or current supplied to the light emitting sources in the single light string. These light emitting sources in the single light string will then be controlled to emit a relatively low light level in the low light position of the three-way switch, a medium light level in the next position, and the full output light level in the third position of the switch.

A light source array 20'' for use in lamp 96 is illustrated in FIGURE 10. As shown therein, flexible light strands 68' and 68'' are wrapped in a double helix around cylindrical support 76. In this Figure, only the light emitting sources on flexible substrate strand 68' are energized. To indicate their energized state, they are represented with a bolder line, indicating that they are emitting light, while the light emitting sources on flexible substrate strand 68'' (corresponding to light string B) have not yet been energized and are represented with lighter drawn lines. Light source array 20'' includes a top 30'', details of which are shown in FIGURE 11. Flexible substrate strands 68' and 68'' spiral inwardly on the top or outer surface of end 30'', and the light they produce is directed through the end of cover 18 for lamp 96 (shown in FIGURE 6) when one or both of the light strings are energized.

FIGURE 12 illustrates details of a first embodiment for producing flexible strand 68 (or 68' or 68'') in which flexible substrate 74 includes flexible conductive traces 70 and 72 extending generally parallel along the opposite edges of one surface. At spaced-apart intervals along the surface, LEDs 142 are connected to the flexible conductive traces. A terminal 146 on each LED is electrically connected to flexible conductive trace 72 using a large drop 144 of a conductive adhesive or solder. Similarly, a large drop 140 of conductive adhesive

or solder connects an opposite terminal (not shown) on LED 142 to conductive trace 70.

FIGURES 13 and 14 illustrate a flexible substrate strand 150 that includes a thread 152 formed of the flexible substrate having flexible conductive traces 156 and 158 extending along opposite edges. A plurality of LEDs or other solid-state light emitting devices are mounted on the top surface of thread 152 using an adhesive. A terminal 164 on one side of each LED or light emitting source is connected through a flywire 162. One end of the flywire is ultrasonically or thermosonically welded to the terminal and the other end of the flywire is ultrasonically or thermosonically welded at point 160 on conductive trace 156. Similarly, on the opposite side of the solid-state light emitting source, a terminal 170 is connected through a flywire 166 or other conductive metal strip to conductive trace 156. Flywire 166 is ultrasonically or thermosonically welded to terminal 170 and to point 168 on the conductive trace at each LED. Flexible substrate strand 150 is somewhat thinner in width than the embodiment shown in FIGURE 12, and is simply a further example of how the flexible substrate strands can be configured for use in the present invention. It will be understood by those of ordinary skill in the art that other embodiments of a flexible substrate strand or thread that includes conductive traces on which the light emitting sources are mounted in spaced-apart linear array can be used within the lamps in accord with the present invention. It should also be noted that other shapes and configurations of lamps that use a flexible substrate on which light emitting sources are mounted either in a two-dimensional array or in a linear array can be employed and that the base can be configured to provide an electrical connection to other types of sockets.

Although the present invention has been described in connection with the preferred forms of practicing it and modifications thereto, those of ordinary skill in the art will understand that many other modifications can be made thereto within the scope of the claims that follow. Accordingly, it is not intended that the scope of the invention in any way be limited by the above description, but instead be determined entirely by reference to the claims that follow.

The invention in which an exclusive right is claimed is defined by the following:

1. A lamp for use in a conventional line current powered incandescent lamp socket, for providing area or task lighting, comprising:

(a) a base that is adapted to electrically and mechanically engage a conventional line current powered incandescent lamp socket, to receive an alternating current (AC) via electrical terminals disposed on the base;

(b) a power supply electrically connected to the electrical terminals on the base, said power supply receiving the AC providing an output electrical current;

(c) a flexible substrate on which are disposed a plurality of electrical conductors, said flexible substrate being formed to generally define a cylindrical shape and having one end disposed adjacent to the base, said plurality of electrical conductors being electrically connected to the output of the power supply;

(d) a plurality of solid-state light sources mounted on an outer surface of the flexible substrate in a spaced-apart array that is configured so that light emitted by the plurality of solid-state light sources when they are electrically energized by the electrical current radiates outwardly about an entire circumference of the lamp, each of said plurality of solid-state light sources being electrically connected to the plurality of electrical conductors disposed on the flexible substrate, enabling the plurality of solid-state light sources to be energized by the electrical current produced by the power supply; and

(e) a generally cylindrical light transmissive envelope having an end attached to the base, said envelope enclosing the flexible substrate and the plurality of solid-state light sources, providing protection to the plurality of solid-state light sources, while transmitting the light emitted by the plurality of solid-state light sources generally radially outward from the lamp.

2. The lamp of Claim 1, wherein the plurality of solid-state light sources comprise light emitting diodes that emit a white light.

3. The lamp of Claim 1, wherein the plurality of conductors disposed on the flexible substrate are configured to electrically couple at least a portion of the plurality of solid-state light sources in parallel with each other.

4. The lamp of Claim 1, wherein the plurality of conductors disposed on the flexible substrate extend substantially parallel along a surface of the flexible substrate.
5. The lamp of Claim 1, wherein the power supply comprises a transformer.
6. The lamp of Claim 1, wherein the power supply includes a rectifier.
7. The lamp of Claim 1, wherein the plurality of solid-state light sources are mounted on the flexible substrate with one of a conductive adhesive and solder.
8. The lamp of Claim 1, wherein the plurality of solid-state light sources each include at least one terminal that is coupled to at least one of the plurality of conductors on the flexible substrate by a conductive lead.
9. The lamp of Claim 1, further comprising a cylindrical support for the flexible substrate, said flexible substrate comprising an elongate thread on which the plurality of solid-state light sources are mounted in a linearly spaced-apart array, said elongate thread being helically wound around an outer surface of the cylindrical support.
10. The lamp of Claim 1, wherein the base includes three electrical terminals that are adapted to electrically connect with corresponding terminals of a three-way incandescent lamp socket, at least two of said three electrical terminals of the base being connected to the power supply, said power supply responding to application of an AC line voltage to specific ones of the electrical terminals to provide an electrical current to energize a predetermined portion of the plurality of solid-state light sources, thereby varying a light intensity produced by the plurality of solid-state light sources as a function of the electrical terminals that are energized with the AC line voltage.
11. The lamp of Claim 1, wherein the flexible substrate includes an end portion opposite said one end attached to the base, said end portion also including a plurality of the solid-state light sources mounted thereon in a spaced-apart array.

12. The lamp of Claim 1, wherein the power supply is disposed within the base.

13. A lamp adapted to replace an incandescent lamp in a conventional line voltage alternating current (AC) lamp socket, comprising:

(a) a base having male threads and sized so that it is adapted to be threaded into a conventional line voltage AC lamp socket, said base include electrical terminals adapted to contact corresponding electrical terminals in a conventional line voltage AC lamp socket;

(b) a flexible substrate that is formed so as to generally define a cylinder and which includes a plurality of conductive traces disposed thereon;

(c) a plurality of solid-state light sources disposed on an outer surface of the flexible substrate in a spaced-apart array, each of said plurality of solid-state light sources being connected to the plurality of conductive traces, and when energized by an electrical current, each solid-state light source emitting substantially white light that is directed outwardly away from the flexible substrate and radially outwardly from the lamp;

(d) a power supply disposed in the base and electrically connected to the terminals to enable the power supply to receive input current therefrom, said power supply being connected to the conductive traces on the flexible substrate and when supplied with a line voltage AC, producing an electrical current at a voltage sufficient to energize the plurality of solid-state light sources; and

(e) a generally cylindrical-shaped light transmissive cover sized and shaped to enclose and protect the plurality of solid-state light sources mounted on the flexible circuit, the light emitted by the plurality of solid-state light sources being transmitted through the cover.

14. The lamp of Claim 13, wherein the cover is formed of one of a glass and a plastic material.

15. The lamp of Claim 13, wherein the cover diffuses the white light emitted by the plurality of solid-state light sources.

16. The lamp of Claim 13, wherein the plurality of solid-state light sources each comprise a light emitting diode.

17. The lamp of Claim 13, wherein the power supply limits at least one of the electrical current and the voltage applied to energize the plurality of solid-state light sources to magnitudes that do not damage the plurality of solid-state light sources.

18. The lamp of Claim 13, wherein the plurality of solid-state light sources are connected in parallel to the power supply via the plurality of conductive traces.

19. The lamp of Claim 13, further comprising an end section of the flexible substrate on which a portion of the plurality of solid-state light sources are mounted, said end section being disposed over and generally closing an end of the cylinder so that when this portion of the plurality of solid-state light sources is energized, light emitted thereby is directed away from the end section of the flexible substrate and out through the end of the cylinder.

20. The lamp of Claim 13, wherein the terminals include a center terminal, an annular terminal, and a threaded terminal, said center terminal and said annular terminal being adapted to electrically connect with corresponding terminals in a three-way lamp socket that includes a four-position switch, when the threaded terminal of the lamp is mated with a three-way lamp socket.

21. The lamp of Claim 20, wherein the power supply energizes a different portion of the plurality of solid-state light sources as a function of whether an AC line voltage is applied to the threaded terminal and:

- (a) the center terminal; and/or
- (b) the annular terminal.

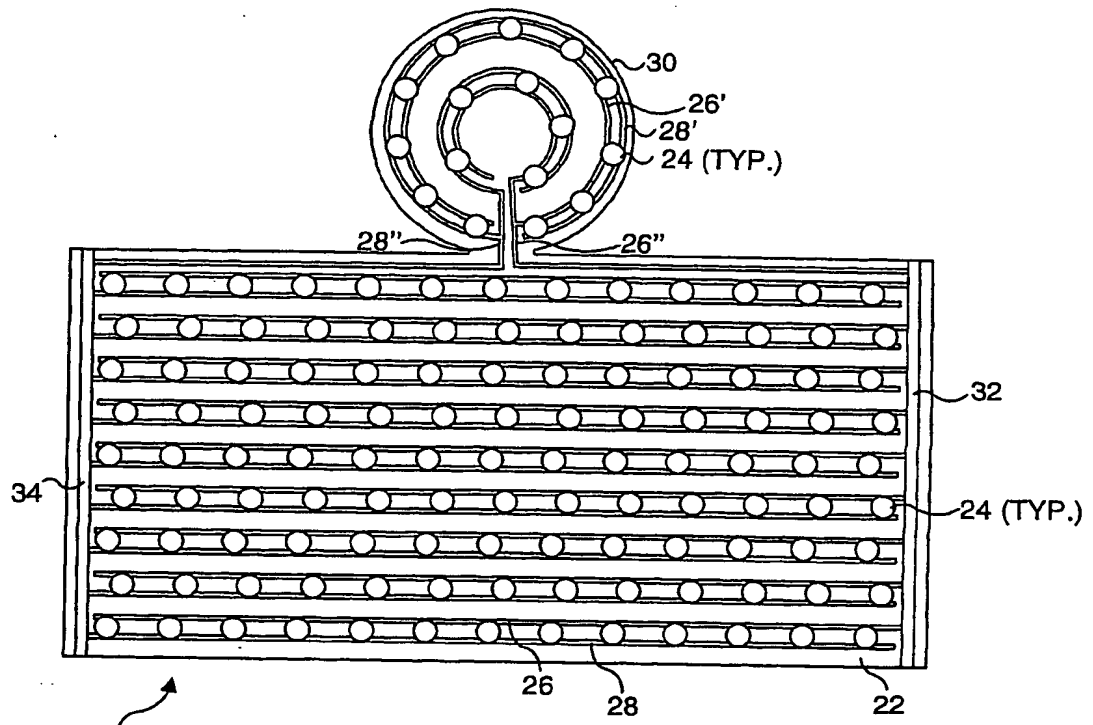


FIG. 2

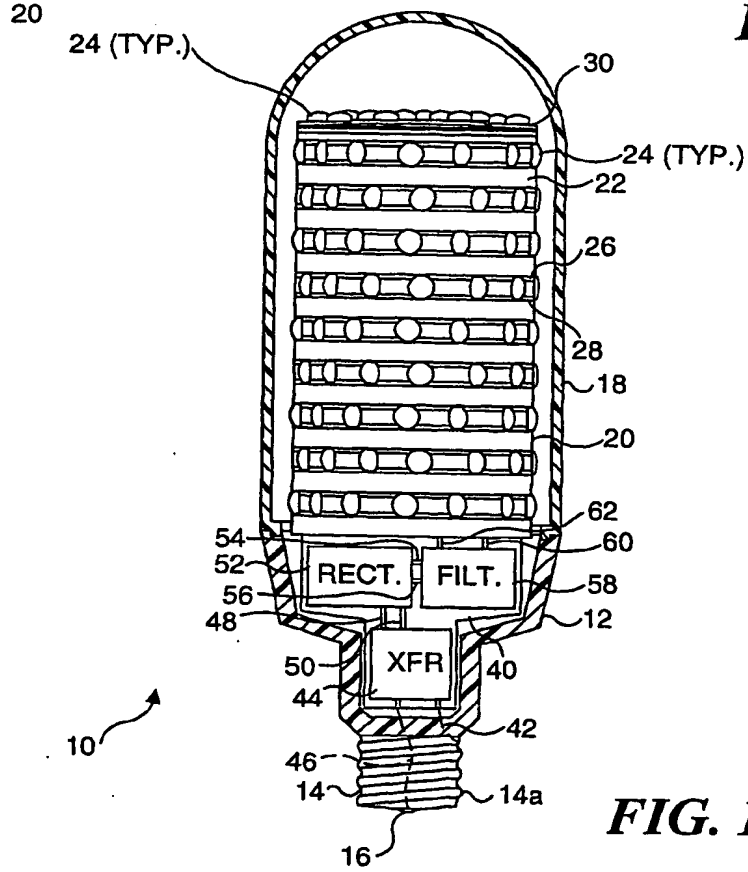


FIG. 1

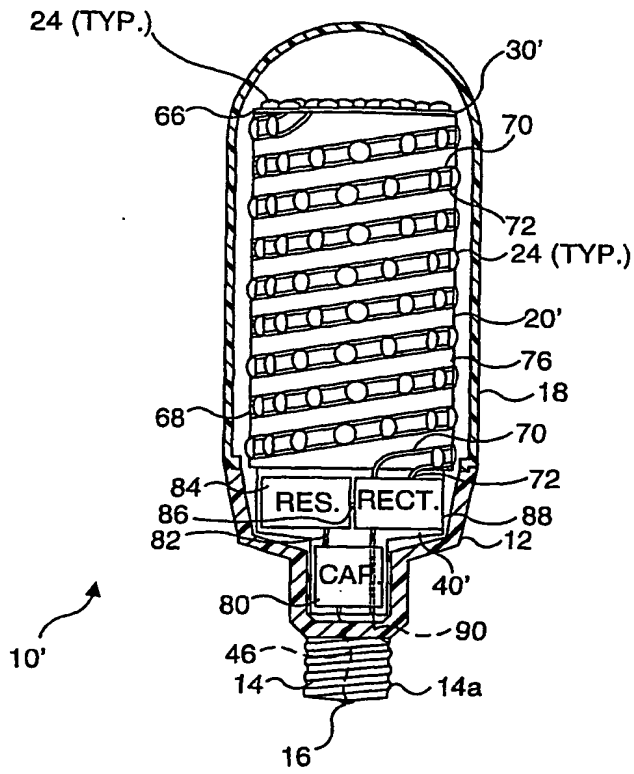


FIG. 3

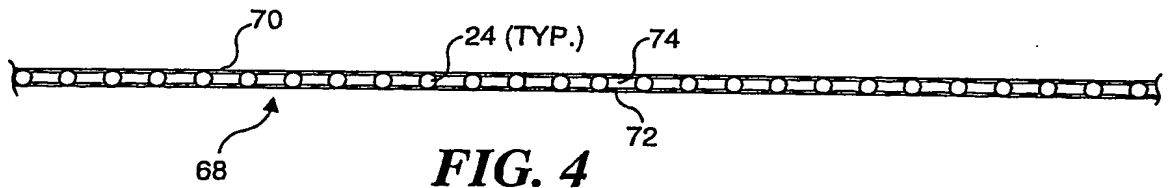


FIG. 4

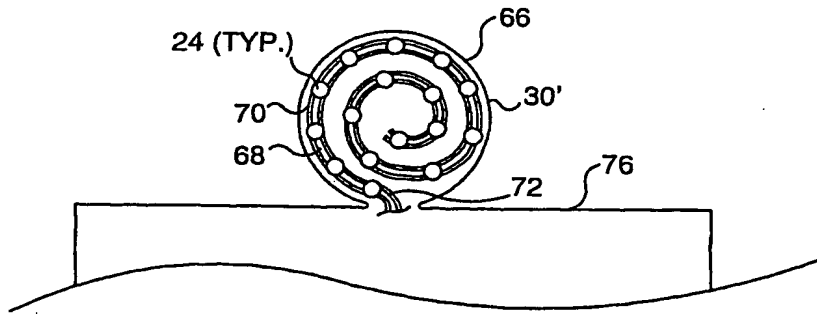


FIG. 5

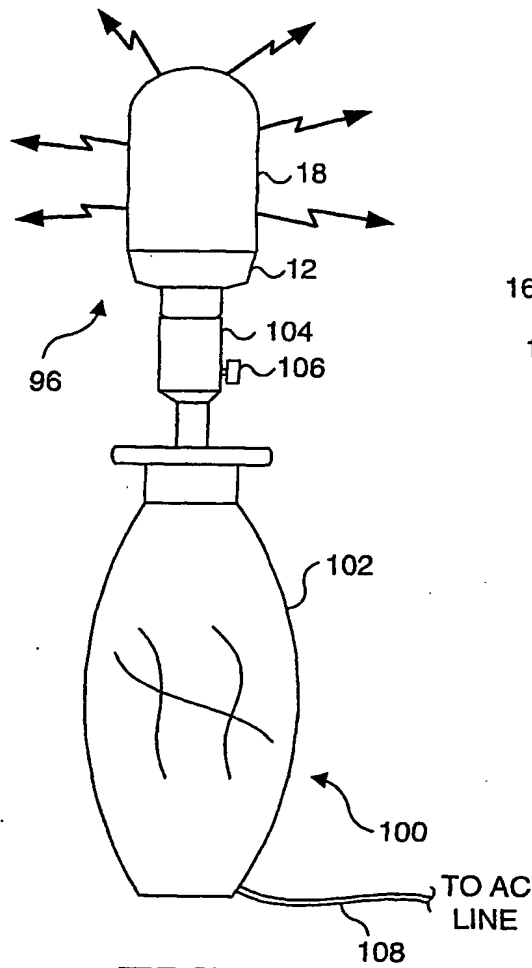


FIG. 6

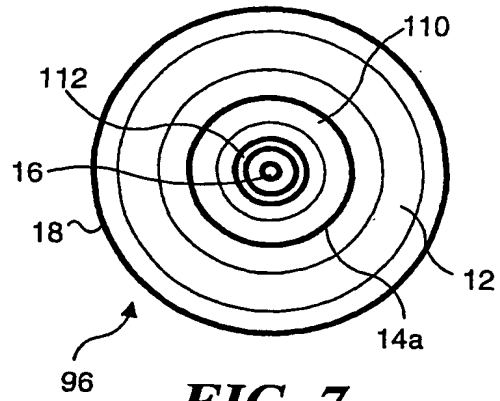


FIG. 7

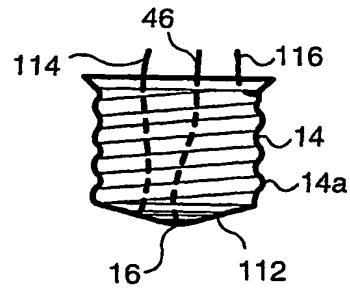


FIG. 8

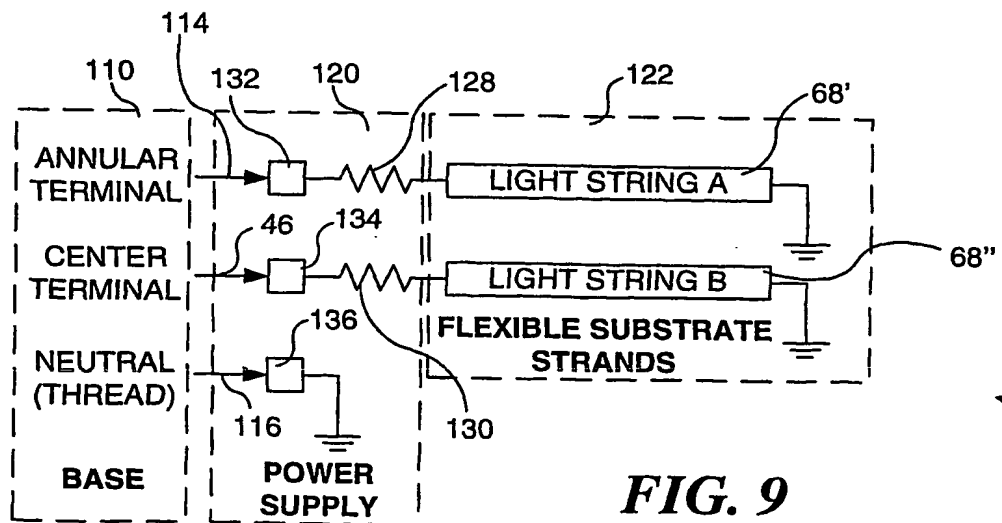


FIG. 9

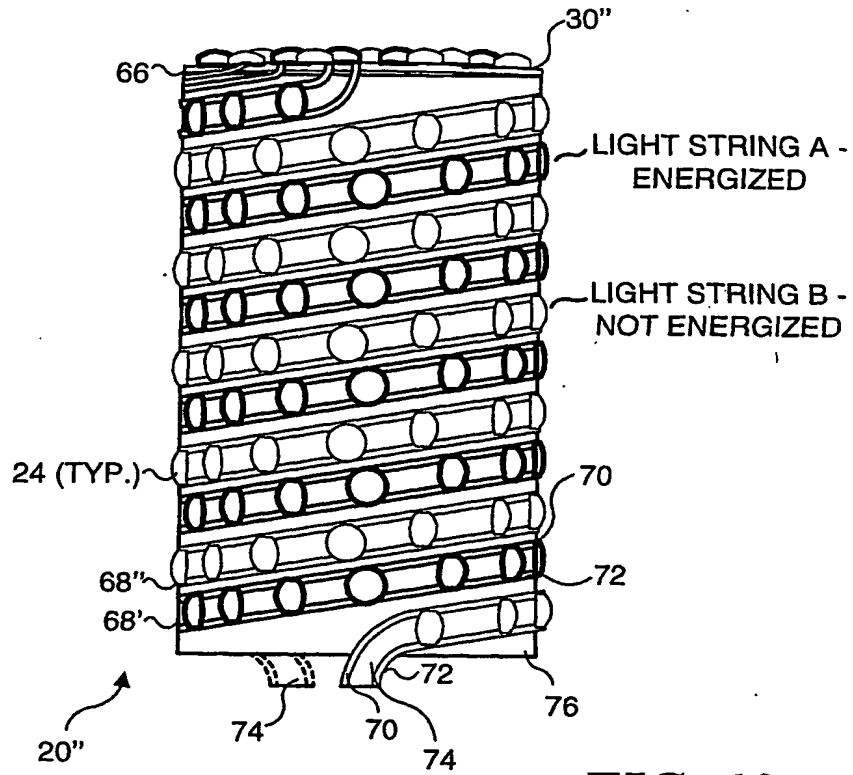


FIG. 10

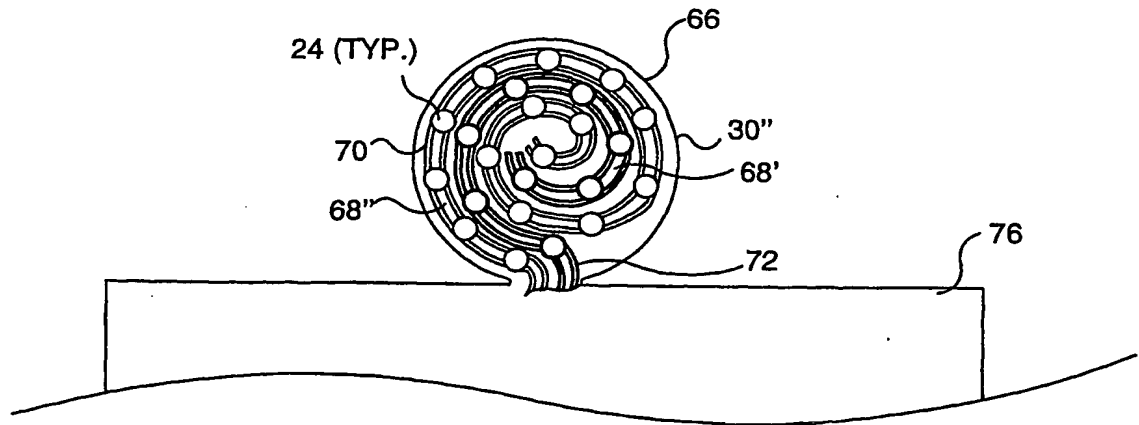


FIG. 11

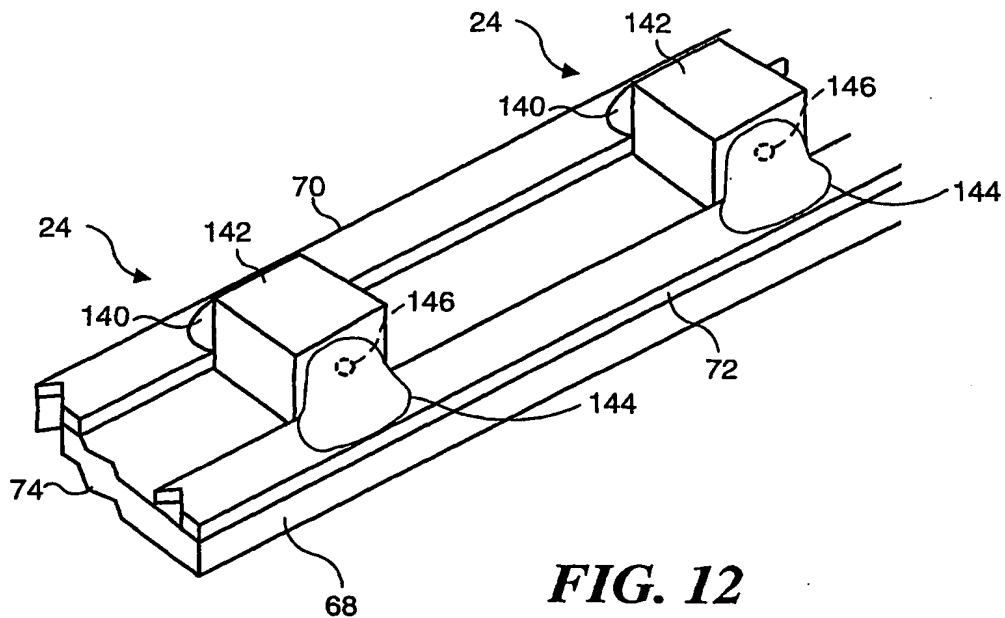


FIG. 12

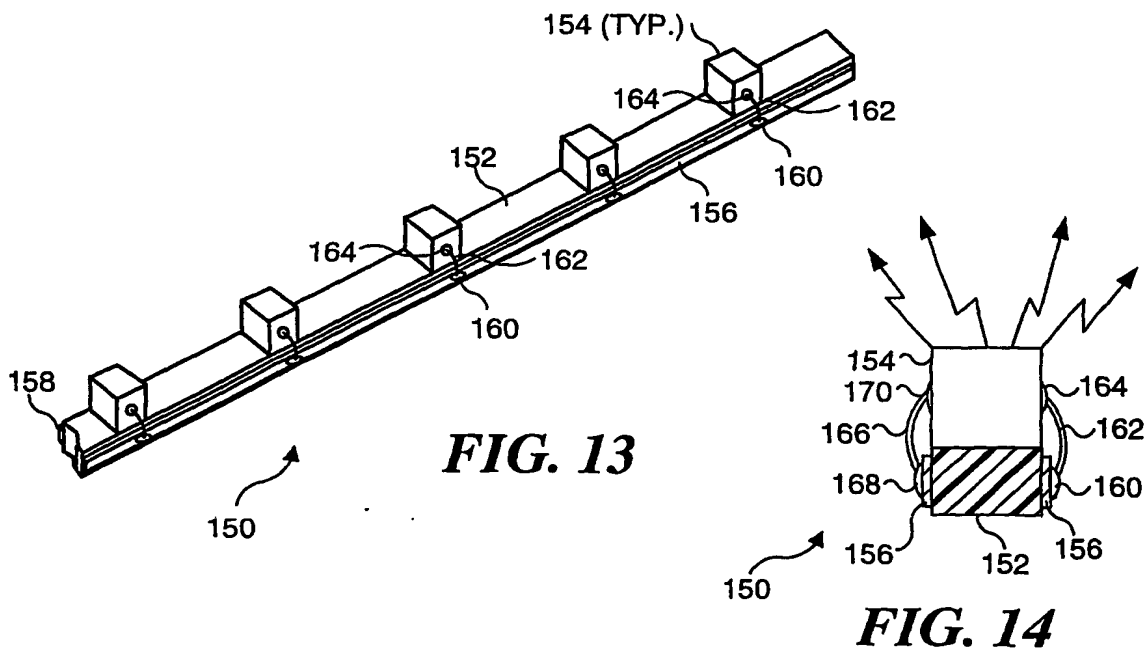


FIG. 13

FIG. 14

INTERNATIONAL SEARCH REPORT

International application No.
PCT/US01/25053

A. CLASSIFICATION OF SUBJECT MATTER
 IPC(7) :H05B 37/00
 US CL :315/185 R, 192, 294; 362/800, 240
 According to International Patent Classification (IPC) or to both national classification and IPC

B. FIELDS SEARCHED
 Minimum documentation searched (classification system followed by classification symbols)
 U.S. : 315/185 R, 192, 294, 250, 209 R, 185 S; 362/800, 240 , 252, 227, 234, 226

Documentation searched other than minimum documentation to the extent that such documents are included in the fields searched
 NONE

Electronic data base consulted during the international search (name of data base and, where practicable, search terms used)
 NONE

C. DOCUMENTS CONSIDERED TO BE RELEVANT

Category*	Citation of document, with indication, where appropriate, of the relevant passages	Relevant to claim No.
A	US 5,463,280 A (JOHNSON) 31 October 1995 (31.10.1995), see entire document.	1-21
A	US 5,575,459 A (ANDERSON) 19 November 1996 (19.11.1996), see entire document.	1-21
A	US 4,211,955 A (RAY) 08 July 1980 (08.07.1980), see entire document.	1-21

Further documents are listed in the continuation of Box C. See patent family annex.

* Special categories of cited documents:	"T" later document published after the international filing date or priority date and not in conflict with the application but cited to understand the principle or theory underlying the invention
"A" document defining the general state of the art which is not considered to be of particular relevance	"X" document of particular relevance; the claimed invention cannot be considered novel or cannot be considered to involve an inventive step when the document is taken alone
"E" earlier document published on or after the international filing date	"Y" document of particular relevance; the claimed invention cannot be considered to involve an inventive step when the document is combined with one or more other such documents, such combination being obvious to a person skilled in the art
"L" document which may throw doubts on priority claim(s) or which is cited to establish the publication date of another citation or other special reason (as specified)	"&" document member of the same patent family
"O" document referring to an oral disclosure, use, exhibition or other means	
"P" document published prior to the international filing date but later than the priority date claimed	

Date of the actual completion of the international search 24 OCTOBER 2001	Date of mailing of the international search report 16 NOV 2001
--	---

Name and mailing address of the ISA/US Commissioner of Patents and Trademarks Box PCT Washington, D.C. 20231 Facsimile No. (703) 305-3230	Authorized officer HAISSA PHILOGENE Telephone No. (703) 305-3485 <i>Bence Pastor</i>
---	--

CORRECTED VERSION

(19) World Intellectual Property Organization
International Bureau



(43) International Publication Date
8 March 2001 (08.03.2001)

PCT

(10) International Publication Number
WO 01/015694 A1

- (51) International Patent Classification⁷: A61K 31/40
- (21) International Application Number: PCT/US00/24120
- (22) International Filing Date: 31 August 2000 (31.08.2000)
- (25) Filing Language: English
- (26) Publication Language: English
- (30) Priority Data:
09/386,692 31 August 1999 (31.08.1999) US
- (63) Related by continuation (CON) or continuation-in-part (CIP) to earlier application:
US 09/386,692 (CIP)
Filed on 31 August 1999 (31.08.1999)
- (71) Applicant (for all designated States except US): LIGHT SCIENCES CORPORATION [US/US]; 1065 12th Avenue, NW, No E-5, Issaquah, WA 98027 (US).
- (72) Inventors; and
- (75) Inventors/Applicants (for US only): CHEN, James [US/US]; 2011 87th Place, N.E., Bellevue, WA 98004 (US). SINGHAL, Anil [US/US]; 7025 177th St., SW, Edmonds, WA 98026 (US).
- (74) Agents: HOLLAND, Charles, D. et al.; Morrison & Foster LLP, 755 Page Mill Road, Palo Alto, CA 94304-1018 (US).
- (81) Designated States (national): AE, AG, AL, AM, AT, AU, AZ, BA, BB, BG, BR, BY, BZ, CA, CH, CN, CR, CU, CZ, DE, DK, DM, DZ, EE, ES, FI, GB, GD, GE, GH, GM, HR, HU, ID, IL, IN, IS, JP, KE, KG, KP, KR, KZ, LC, LK, LR, LS, LT, LU, LV, MA, MD, MG, MK, MN, MW, MX, MZ, NO, NZ, PL, PT, RO, RU, SD, SE, SG, SI, SK, SL, TJ, TM, TR, TT, TZ, UA, UG, US, UZ, VN, YU, ZA, ZW.
- (84) Designated States (regional): ARIPO patent (GH, GM, KE, LS, MW, MZ, SD, SL, SZ, TZ, UG, ZW), Eurasian patent (AM, AZ, BY, KG, KZ, MD, RU, TJ, TM), European patent (AT, BE, CH, CY, DE, DK, ES, FI, FR, GB, GR, IE, IT, LU, MC, NL, PT, SE), OAPI patent (BF, BJ, CF, CG, CI, CM, GA, GN, GW, ML, MR, NE, SN, TD, TG).
- Published:
— with international search report
- (48) Date of publication of this corrected version:
12 September 2002
- (15) Information about Correction:
see PCT Gazette No. 37/2002 of 12 September 2002, Section II
- For two-letter codes and other abbreviations, refer to the "Guidance Notes on Codes and Abbreviations" appearing at the beginning of each regular issue of the PCT Gazette.

(54) Title: EXTENDED DURATION LIGHT ACTIVATED CANCER THERAPY

(57) Abstract: The present invention is drawn to methods and compounds for photodynamic therapy (PDT) of a target tissue or compositions in a mammalian subject, using a light source that preferably transmits light to a treatment site transcutaneously. The method provides for administering to the subject a therapeutically effective amount of a photosensitizing agent. This photosensitizing agent preferentially associates with the target tissue. Light at a wavelength or waveband corresponding to that which is absorbed by the photosensitizing agent is then administered. The light intensity is relatively low, but a high total fluence is employed to ensure the activation of the photosensitizing agent. Transcutaneous PDT is useful in the treatment of specifically selected target tissues, such as vascular endothelial tissue, the abnormal vascular walls of tumors, solid tumors of the head and neck, tumors of the gastrointestinal tract, tumors of the liver, tumors of the breast, tumors of the prostate, tumors of the lung, nonsolid tumors, malignant cells of the hematopoietic and lymphoid tissue and other lesions in the vascular system or bone marrow, and tissue or cells related to autoimmune and inflammatory disease.

WO 01/015694 A1

EXTENDED DURATION LIGHT ACTIVATED CANCER THERAPY

Field of the Invention

This invention generally relates to the field of delivery to a tumor target site of a therapeutically effective amount of a photosensitizing agent that is activated by a relatively low fluence rate of light administered over a prolonged period of time. More specifically, the field of this invention is to the delivery of a photosensitizing agent that preferentially associates with cancerous cells at the target site.

Background of the Invention

One form of energy activated therapy for destroying abnormal or diseased tissue is photodynamic therapy (PDT). PDT is a two-step treatment process, which has received increasing interest as a mode of treatment for a wide variety of different cancers and diseased tissue. The first step in this therapy is carried out by administering a photosensitive compound systemically by ingestion or injection, or topically applying the compound to a specific treatment site on a patient's body, followed by illumination of the treatment site with light having a wavelength or waveband corresponding to a characteristic absorption waveband of the photosensitizer. The light activates the photosensitizing compound, causing singlet oxygen radicals and other reactive species to be generated, leading to a number of biological effects that destroy the abnormal or diseased tissue, which has absorbed the photosensitizing compound. The depth and volume of the cytotoxic effect on the abnormal tissue, such as a cancerous tumor, depends in part on the depth of the light penetration into the tissue, the photosensitizer concentration and its cellular distribution, and the availability of molecular oxygen, which will depend upon the vasculature system supplying the abnormal tissue or tumor.

Various types of PDT light sources and their methods of use have been described in the prior art literature. However, publications describing appropriate light sources and the effects of transcutaneous light delivery to internal treatment sites within a patient's body, for PDT purposes, are relatively limited in number. It has generally been accepted that the ability of a light source external to the body to cause clinically useful cytotoxicity during PDT is limited in depth to a range of 1-2 cm or less, depending on the photosensitizer.

Treatment of superficial tumors in this manner has been associated with inadvertent skin damage due to accumulation of the photosensitizer in normal skin tissue, which is a property of all systemically administered photosensitizers in clinical use. For example,

clinically useful porphyrins such as PHOTOFRIN™ (a QLT, Ltd. brand of sodium porfimer) are associated with general dermal photosensitivity lasting up to six weeks. PURLYTIN™, which is a brand of purpurin, and FOSCAN™, which is brand of chlorin, sensitize the skin to light for at least several weeks, so that patients to whom these drugs are administered must avoid exposure to sunlight or other bright light sources during this time to avoid unintended phototoxic effects on the normal dermal tissue. Indeed, efforts have been made to develop photoprotectants to reduce skin photosensitivity (see, for example: Dillon *et al.*, "Photochemistry and Photobiology," 48(2): 235-238 (1988); and Sigdestad *et al.*, British J. of Cancer, 74:S89-S92, (1996)).

Recently, it has been reported that a relatively intense external laser light source might be employed transcutaneously to cause two-photon absorption by a photosensitizer a greater depth within a patient's body, so that it is theoretically possible to cause a very limited volume of cytotoxicity in diseased tissue at greater depths than previously believed possible. However, no clinical studies exist to support this contention. One would expect that the passage of an intense beam of light through the skin would lead to the same risk of phototoxic injury to non-target normal tissues, such as skin and subcutaneous normal tissue, if this light is applied in conjunction with a systemically administered photosensitizer.

For example, one PDT modality discloses the use of an intense laser source to activate a photosensitizer drug within a precisely defined boundary (see: U.S. Patent No. 5,829,448, Fisher *et al.*, "Method for improved selectivity in photo-activation of molecular agents"). The two-photon methodology requires a high power, high intensity laser for drug activation using a highly collimated beam, with a high degree of spatial control. For a large tumor, this treatment is not practical, since the beam would have to be swept across the skin surface in some sort of set, repeating pattern, so that the beam encompasses the entire volume of the tumor. Patient or organ movement would be a problem, because the beam could become misaligned. Exposure of normal tissue or skin in the path of the beam and subcutaneous tissue photosensitivity is not addressed in the prior art literature. Any photosensitizer absorbed by normal tissue in the path of the beam will likely be activated and cause unwanted collateral normal tissue damage. Clearly, it would be preferable to employ a technique that minimizes the risk of damage to normal tissue and which does not depend upon a high intensity laser light source to produce two photon effects. Further, it

would be preferable to provide a prolonged exposure of an internal treatment site with light at a lower fluence rate, which tends to reduce the risk of harm to non-target tissue or skin and subcutaneous normal tissue and reduces any collateral tissue damage due to phototoxicity.

5 Other PDT modalities have employed the use of a light source producing a low total fluence delivered over a short time period to avoid harm to skin caused by activation of a photosensitizer and have timed the administration of such drugs to better facilitate destruction of small tumors in animals (see, for example, U.S. Patent 5,705,518, Richter *et*
10 *al.*). However, although not taught nor suggested by the prior art, it would be preferable to employ a light source that enables a relatively *large* total fluence PDT, but at a *lower* intensity so that larger tumor volumes can more readily be treated as well as diffused diseases, including metastasized tumors and other pathological tissue formation resulting from infectious or pathogenic agents, such as bacterial infections or other disease states, such as immunological diseases.

15 If, as is often the case, a target tumor tissue lies below an intact cutaneous layer of normal tissue, the main drawbacks of all transcutaneous illumination methods, whether they be external laser or external non-laser light sources, are: (1) the risk of damage to non-target tissues, such as the more superficial cutaneous and subcutaneous tissues overlying the target tumor mass; (2) the limited volume of a tumor that can be treated; and
20 (3) the limitation of treatment depth. Damage to normal tissue lying between the light source and the target tissue in a tumor occurs due to the uptake of photosensitizer by the skin and other tissues overlying the tumor mass, and the resulting undesired photoactivation of the photosensitizer absorbed by these tissues. The consequences of inadvertent skin damage caused by transcutaneous light delivery to a subcutaneous tumor
25 may include severe pain, serious infection, and fistula formation. The limited volume of tumor that can be clinically treated and the limitations of the light penetration below the skin surface in turn have led those skilled in this art to conclude that clinical transcutaneous PDT is only suitable for treatment of superficial, thin lesions.

30 U.S. Patent No. 5,445,608, Chen *et al.*, discloses the use of implanted light sources for internally administering PDT. Typically, the treatment of any internal cancerous lesions with PDT requires at least a minimally invasive procedure such as an endoscopic technique, for positioning the light source proximate to the tumor, or open surgery to

expose the tumor site. There is some risk associated with any internal procedure performed on the body. Clearly, there would be significant advantage to a completely noninvasive form of PDT directed to subcutaneous and deep tumors, which avoids the inadvertent activation of any photosensitizer in skin and intervening tissues. To date, this capability
5 has not been clinically demonstrated nor realized. Only in animal studies utilizing mice or other rodents with very thin cutaneous tissue layers, have very small superficial subcutaneous tumors been treated with transcutaneously transmitted light. These minimal *in vivo* studies do not provide an enabling disclosure or even suggest how transcutaneous light sources might safely be used to treat large tumors in humans with PDT, however.

10 Another PDT modality in the prior art teaches the destruction of abnormal cells that are circulating in the blood using light therapy, while leaving the blood vessels intact (see, for example: U.S. Patent No. 5,736,563, Richter *et al.*; WO 94/06424, Richter; WO 93/00005, Champan *et al.*; U.S. Patent No. 5,484,803, Richter *et al.*, and WO 93/24127, North *et al.* Instead, it might be preferably to deliberately damage and occlude blood
15 vessels that form the vasculature supplying nutrients and oxygen to a tumor mass, thus rendering a given volume of abnormal tissue in the tumor (not circulating cells) ischemic and anoxic and thus promoting the death of the tumor tissue serviced by these blood vessels.

20 To facilitate the selective destruction of the blood vessels that service a tumor, it would be desirable to selectively bind a photosensitizing agent to specific target tissue antigens, such as those found on the epithelial cells comprising tumor blood vessels. This targeting scheme should decrease the amount of photosensitizing drug required for effective PDT, which in turn should reduce the total light energy, and the light intensity needed for effective photoactivation of the drug. Even if only a portion of a blood vessel is
25 occluded as a result of the PDT, downstream thrombosis is likely to occur, leading to a much greater volume of tumor necrosis compared to a direct cytotoxic method of destroying the tumor cells, in which the photosensitizer drug must be delivered to all abnormal cells that are to be destroyed. One method of ensuring highly specific uptake of a photosensitizer by epithelial cells in tumor vessels would be to use the avidin-biotin
30 targeting system. Highly specific binding of a targeted agent such as a PDT drug to tumor blood vessels (but not to the cells in normal blood vessels) is enabled by this two step system. While there are reports in the scientific literature describing the binding between

biotin and streptavidin to target tumor cells, there are no reports of using this ligand-receptor binding pair to bind with cells in tumor vessels nor in conjunction with carrying out prolonged PDT light exposure (see, for example: Savitsky *et al.*, *SPIE*, 3191:343-353, (1997); and Ruebner *et al.*, *SPIE*, 2625:328-332, (1996)). In a non-PDT modality, the
5 biotin-streptavidin ligand-receptor binding pair has also been reported as useful in binding tumor targeting conjugates with radionuclides (see U.S. Patent No. 5,630,996, Reno *et al.*) and with monoclonal antibodies (see Casalini *et al.*; *J. Nuclear Med.*, 38(9):1378-1381, (1997)) and U.S. Patent No. 5,482,698, Griffiths).

Other ligand-receptor binding pairs have been used in PDT for targeting tumor
10 antigens, but the prior art fails to teach their use in conjunction with targeting cells in blood vessels or treatment of large, established tumors (see, for example, Mew *et al.*, *J. of Immunol.*, 130(3): 1473-1477, (1983)).

High powered lasers are usually employed as a light source in administering PDT to shorten the time required for the treatment (see W.G. Fisher, *et al.*, *Photochemistry and
15 Photobiology*, 66(2):141-155, (1997)). However, it would likely be safer to use a low power, non-coherent light source that remains energized for two or more hours to increase the depth of the photoactivation. However, this approach is contrary to the prior art that recommends PDT be carried out with a brief exposure from a high powered, collimated light source.

20 Recently, there has been much interest in the use of antiangiogenesis drugs for treating cancerous tumors by minimizing the blood supply that feeds a tumor's growth. However, targeting of tumor vessels using antiangiogenesis drugs may lead to reduction in size of small tumors and may prevent new tumor growth, but will likely be ineffective in causing reliable regression of large, established tumors in humans. However, by using a
25 combination of antiangiogenesis and a photosensitizer in the targeting conjugate, it is likely that a large volume tumor can be destroyed by administering PDT.

In treating large tumors, a staged procedure may be preferable in order to control tumor swelling and the amount of necrotic tissue produced as the PDT causes destruction of the tumor mass. For example, by activating a photosensitizer bound to tumor vessels in
30 the center of a large tumor and then sequentially expanding the treatment zone outward in a stepwise manner, a large volume tumor can be gradually ablated in a controlled fashion in order to prevent swelling due to edema and inflammation, which is problematic in organs

such as the brain.

Delivered *in vivo*, PDT has been demonstrated to cause vessel thrombosis and vascular constriction, occlusion, and collapse. And though the treatment of very superficial, thin tumors has been reported using transcutaneous light, there are no clinical reports of transcutaneous light activation being used to destroy deeper, thick tumors that are disposed more than 2 cm below the skin surface. Clearly, there is a need for a PDT paradigm that enables large volume tumors that are disposed well below the surface of the skin to be destroyed with transcutaneous light activation.

PDT of locally recurrent breast cancer (LRBC) with lutetium texaphyrin has been reported by T.J. Wieman *et al.*, in program/proceedings, *American Society of Clinical Oncology*, Vol. 18, P. 111A (1999). This study by Wieman *et al.* involved the treatment of superficial recurrent chest wall breast cancer. Lutrin™ (lutetium texaphyrin, brand; Pharmacyclics, Inc, Sunnyvale, CA) was administered by injection at a dose of 1.5 mg/Kg to 4.0 mg/Kg and followed by chest wall illumination of 150 joules or 100 joules of light at 732 nm using laser or LED device. However, this study did not suggest or disclose the use of transcutaneous light delivery to treat a subcutaneous tumor mass. Further, at the light dosage employed, a sustained delivery of light at the reported intensity may not be possible without adverse reactions.

It is apparent that the usual method of administering PDT to treat bulky tumors, which relies on invasive introduction of optical fibers, is not the best approach. It would be highly advantageous to apply light transcutaneously in a completely noninvasive method to treat such large tumors (as well as small and even microscopic tumors), without risking damage to non-target tissues, such as skin and normal subcutaneous tissue. Instead of the conventional technique, a method of photoactivation and a series of photosensitizer constructs is needed that enable PDT induced cytotoxicity, on both a macro and microscopic scale, without risk to the cutaneous layer, or any surrounding normal tissues. Also, the therapeutic index should be enhanced due if a specific photosensitizer drug targeting scheme is employed.

Citation of the above documents is not intended as an admission that any of the foregoing is pertinent prior art. All statements as to the date or representation as to the contents of these documents is based on the information available to the applicants and does not constitute any admission as to the correctness of the dates or contents of these

documents. Further, all documents referred to throughout this specification are hereby incorporated by reference herein, in their entirety.

Summary of the Invention

5 In accord with the present invention, a method is defined for transcutaneously administering a photodynamic therapy to a target tissue in a mammalian subject. The method includes the step of administering to the subject a therapeutically effective amount of either a photosensitizing agent having a characteristic light absorption waveband, a photosensitizing agent delivery system that delivers the photosensitizing agent, or a prodrug that produces a prodrug product having a characteristic light absorption waveband.
10 The photosensitizing agent, photosensitizing agent delivery system, or prodrug selectively binds to the target tissue. Light having a waveband corresponding at least in part with the characteristic light absorption waveband of said photosensitizing agent or of the prodrug is used for transcutaneously irradiating at least a portion of the mammalian subject. An intensity of the light used for irradiating is substantially less than 500 mw/cm², and a total
15 fluence of the light is sufficiently high to activate the photosensitizing agent or the prodrug product, as applicable.

Preferably, sufficient time is allowed for any of the photosensitizing agent, the photosensitizing agent delivery system, or the prodrug (depending upon which one of these was administered) that is not bound or preferentially associated to the target tissue to clear
20 from non-target tissues of the mammalian subject prior to the step of irradiating with the light.

In one application of the invention, the target tissue is vascular endothelial tissue. In another application, the target tissue is an abnormal vascular wall of a tumor. As further defined, the target tissue is selected from the group consisting of: a vascular endothelial
25 tissue, an abnormal vascular wall of a tumor, a solid tumor, a tumor of a head, a tumor of a neck, a tumor of a gastrointestinal tract, a tumor of a liver, a tumor of a breast, a tumor of a prostate, a tumors of a lung, a nonsolid tumor, malignant cells of one of a hematopoietic tissue and a lymphoid tissue, lesions in a vascular system, a diseased bone marrow, and diseased cells in which the disease is one of an autoimmune and an inflammatory disease.
30 In yet a further application of the present invention, the target tissue is a lesion in a vascular system. It is contemplated that the target tissue is a lesion of a type selected from the group consisting of atherosclerotic lesions, arteriovenous malformations, aneurysms, and venous

lesions.

The step of irradiating generally comprises the step of providing a light source that is activated to produce the light. In one preferred embodiment of the invention, the light source is disposed external to an intact skin layer of the mammalian subject during the step of irradiating by transcutaneous irradiation. In another preferred embodiment, the method includes the step of inserting the light source underneath an intact skin layer, but external to an intact surface of an organ of the mammalian subject, where the organ comprises the target tissue, as provided in organ transillumination irradiation. In a further preferred embodiment, the method includes the step of inserting the light source underneath an intact skin layer and underneath the parenchymal or capsular membrane layer of an organ, where the organ comprises the target tissue, as provided in interstitial transillumination irradiation.

Preferably, the photosensitizing agent is conjugated to a ligand. The ligand may be either an antibody or an antibody fragment that is specific in binding with the target tissue. Alternatively, the ligand is a peptide, or a polymer, either of which is specific in binding with the target tissue.

The photosensitizing agent is preferably selected from the group consisting of indocyanine green (ICG), methylene blue, toluidine blue, aminolevulinic acid (ALA), chlorins, bacteriochlorophylls, phthalocyanines, porphyrins, purpurins, texaphyrins, and other photoreactive agents that have a characteristic light absorption peak in a range of from about 500 nm to about 1100 nm. Additionally, the photosensitizing agent should clear quickly from normal tissue, but not from target tissues.

One photosensitizing agent, Lutrin™ (lutetium texaphyrin, brand; Pharmacyclics, Inc, Sunnyvale, CA) exhibits clearance from normal tissues in about 24 hours while tumor tissues retain this agent from 24-96 hours from time of administration. Lutetium texaphyrin absorbs light at about 732 nm and is administered by injection, exhibiting sufficient selectivity in uptake as to enable transcutaneous PDT of tumors that are deep in an intact layer of tissue.

Another application of the present invention uses an energy activated compound that has a characteristic energy absorption waveband. The energy activated compound selectively binds to the target tissue. Energy having a waveband corresponding at least in part with the characteristic energy absorption waveband of said energy activated compound

is used for transcutaneously irradiating at least a portion of the mammalian subject. Preferably the waveband is in the ultrasonic range of energy. Said compound is activated by said irradiating step, wherein the intensity of said ultrasonic energy is substantially less than that level which would result in damage to normal tissue, but at a sufficiently high
5 total fluence of ultrasonic energy that is absorbed by said compound which in turn destroys the target tissue to which it is bound. Preferably, the total fluence of the ultrasonic energy used for irradiating is between about 5 kHz and more than about 300 MHz, more preferably, between about 10kHz and more than about 200 MHz, and most preferably, between about 20 kHz and more than about 100 MHz.

10 The step of irradiating is preferably carried out for a time interval of from about 30 minutes to about 72 hours, or more preferably, from about 60 minutes to about 48 hours, or most preferably, greater than about 2 hours, such as from about 2 hours to about 24 hours, depending upon the photosensitizing or photosensitizer agent used.

15 In yet another application of the invention, the target tissue is bone marrow, or comprises cells afflicted with either an autoimmune disease or an inflammatory disease. A still further application of the present invention, relates to methods for the treatment of diffused disease, where the target tissue may include metastasized tumor cells; immunological cells; tissues infected with pathogenic agents or any other diseased or damaged tissues that are interspersed with normal or healthy tissue.

20 The present invention also includes methods for administering photodynamic therapy to a target tissue in a mammalian subject, where the target tissue is irreversibly damaged or destroyed resulting in extensive necrosis.

25 Preferably, the total fluence of the light used for irradiating is between about 30 Joules and about 25,000 Joules, more preferably, between about 100 Joules and about 20,000 Joules, and most preferably, between about 500 Joules and about 10,000 Joules.

Brief Description of the Drawing Figures

30 The foregoing aspects and many of the attendant advantages of this invention will become more readily appreciated as the same becomes better understood by reference to the following detailed description, when taken in conjunction with the accompanying drawings, wherein:

FIGURE 1 is a schematic diagram illustrating an external light source being used to

administer transcutaneous cancer therapy to a relatively large, singular tumor, and to multiple, small tumors;

FIGURE 2 is a schematic cross-sectional view of a section of a tumor blood vessel, illustrating linking of an antibody/photosensitive drug to endothelial tissue;

5 FIGURES 3A and 3B are schematic diagrams illustrating biotin-avidin targeting of endothelial antigens for use in rendering PDT;

FIGURES 4A- 4C schematically illustrate tissue amplified infarction downstream of photodynamic transcutaneous therapy applied to endothelium tissue;

10 FIGURE 5 is a schematic diagram illustrating the use of an external ultrasound source for transcutaneous application of PDT to a deep tumor;

FIGURE 6 is a schematic diagram showing the use of an external light source for transcutaneous treatment of intraosseous disease;

15 FIGURE 7 is a schematic diagram showing both an external light source transcutaneously administering light and an intraluminal light source position within either the terminal ileum or colon to treat Crohn's disease with targeted PDT;

FIGURE 8 is a schematic diagram illustrating an intraluminal light source in the form of a capsule or pill for administering light to destroy *H. pylori* on the gastric lining with targeted PDT; and

20 FIGURE 9 is a schematic diagram showing how an internal light source administers transillumination of a deep tumor through an organ wall to provide targeted PDT that destroys the tumor.

25 FIGURES 10A-10C are schematic diagrams illustrating the injection of a photosensitizer compound into a vein (FIGURE 10A) showing drug clearance from normal tissue after 24 hours and drug retention in tumor beyond 24 hours (FIGURE 10B), and showing transcutaneous illumination of the tumor (FIGURE 10C).

FIGURE 11 shows a low dose rate PDT experiment.

FIGURE 12 demonstrates PDT on test cells using several photosensitizer agents.

FIGURE 13 provides an experiment comparing varying fluence rates of PDT upon test cells.

30 FIGURE 14 shows an *in vitro* PDT assay of human colon adenocarcinoma.

FIGURE 15 shows a diagram that demonstrates interstitial transillumination PDT of atherosclerotic plaque in a blood vessel using a photosensitizing agent bound to a ligand

specific for receptors or antigens of plaque.

FIGURE 16 shows a diagram that demonstrates both transcutaneous PDT and interstitial transillumination PDT of atherosclerotic plaque in a blood vessel using a photosensitizing agent bound to a ligand specific for receptors or antigens of plaque.

5 FIGURE 17 shows a diagram that demonstrates transcutaneous ultrasound irradiation of atherosclerotic plaque in a blood vessel using an ultrasound energy activated agent bound to a ligand specific for receptors or antigens of plaque.

10 FIGURE 18 shows transcutaneous PDT using an optical diffuser attached to an optical fiber with delivery of light from a laser diode light source for the treatment of atherosclerotic plaque in a blood vessel.

Description of the Preferred Embodiment

Introduction and General Description of the Invention

15 This invention is directed to methods and compositions for therapeutically treating a target tissue or destroying or impairing a target cell or a biological component in a mammalian subject by the specific and selective binding of a photosensitizer agent to the target tissue, cell, or biological component. At least a portion of the subject is irradiated with light at a wavelength or waveband within a characteristic absorption waveband of the photosensitizing agent. The light is administered at a relatively low fluence rate, but at an overall high total fluence dose, resulting in minimal collateral normal tissue damage. It is contemplated that an optimal total fluence for the light administered to a patient will be determined clinically, using a light dose escalation trial. It is further contemplated that the total fluence administered during a treatment will preferably be in the range of 30 Joules to 25,000 Joules, more preferably, in the range from 100 Joules to 20,000 Joules, and most preferably, in the range from 500 Joules to 10,000 Joules. According to the present method, the light is administered over a period of time greater than about 2 hours.

25 The terminology used herein is generally intended to have the art recognized meaning and any differences therefrom as used in the present disclosure, will be apparent to the ordinary skilled artisan. For the sake of clarity, terms may also have a particular meaning, as will be clear from their use in context. For example, "transcutaneous" as used in regard to light irradiation in this specification and in the claims that follow, more specifically herein refers to the passage of light through unbroken tissue. Where the tissue

layer is skin or dermis, transcutaneous includes “transdermal” and it will be understood that the light source is external to the outer skin layer. However, the term “transillumination” as used herein refers to the passage of light through a tissue layer. For example, “organ transillumination” refers to light irradiation through the outer surface layer of an organ, e.g., the liver, and it will be apparent that the light source is external to the organ, but internal or implanted within the subject or patient. Similarly and more generally, “interstitial transillumination” refers to light irradiation from a light source that is implanted or surgically positioned underneath the epidermal layer of tissue within an organ, such as the parenchymal or capsular layer of tissue of the organ or tumor mass, where the organ or tumor mass comprises the target tissue.

One aspect of the present invention provides for the precise targeting of photosensitive agents or drugs and compounds to specific target antigens of a subject or patient and to the method for activating the targeted photosensitizer agents by subsequently administering to the subject light at a relatively low fluence rate, over a prolonged period of time, from a light source that is external to the target tissue in order to achieve maximal cytotoxicity of the abnormal tissue, with minimal adverse side effects or collateral normal tissue damage.

FIGURE 1 illustrates transcutaneous delivery of light from an external source to a relatively deep tumor, or to a plurality of small, but relatively deep tumors. The light emitted by external source is preferably of a longer waveband, but still within an absorption waveband of the photosensitive agent (not shown in this Figure) that has been selectively linked to tumor and smaller tumors. The longer wavelength of light enables it to pass through a dermal layer and penetrate into the patient’s body beyond the depth of tumor(s) being treated with targeted PDT. In these two examples, the PDT is directed specifically at target cells in tumor or in tumors.

As used in this specification and the following claims, the terms “target cells” or “target tissues” refer to those cells or tissues, respectively that are intended to be impaired or destroyed by PDT delivered in accord with the present invention. Target cells or target tissues take up or link with the photosensitizing agent, and, when sufficient light radiation of the waveband corresponding to the characteristic waveband of the photosensitizing agent is applied, these cells or tissues are impaired or destroyed. Target cells are cells in target tissue, and the target tissue includes, but is not limited to, vascular endothelial tissue,

abnormal vascular walls of tumors, solid tumors such as (but not limited to) tumors of the head and neck, tumors of the gastrointestinal tract, tumors of the liver, tumors of the breast, tumors of the prostate, tumors of the lung, nonsolid tumors and malignant cells of the hematopoietic and lymphoid tissue, other lesions in the vascular system, bone marrow, and tissue or cells related to autoimmune disease.

Further, target cells include virus-containing cells, and parasite-containing cells. Also included among target cells are cells undergoing substantially more rapid division as compared to non-target cells. The term "target cells" also includes, but is not limited to, microorganisms such as bacteria, viruses, fungi, parasites, and infectious agents. Thus, the term "target cell" is not limited to living cells but also includes infectious organic particles such as viruses. "Target compositions" or "target biological components" include, but are not be limited to: toxins, peptides, polymers, and other compounds that may be selectively and specifically identified as an organic target that is intended to be impaired, irreversibly damaged or destroyed by this treatment method.

FIGURE 2 includes a section of a tumor blood vessel 20 having a wall 22, with an endothelial lining 24. A plurality of endothelial antigens 26 are disposed along the endothelial lining. In this example, antibodies 28 that is specific to endothelial antigens 26 have been administered and are shown linking with the endothelial antigens. Coupled to antibodies 28 are PDT photosensitive drug molecules 30. Thus, the PDT photosensitive drug molecules are linked to the endothelial antigens via antibodies 28, but are not linked to non-target cells, since the antibodies are selective only to the endothelial antigens.

"Non-target cells" are all the cells of a mammal that are not intended to be impaired, damaged, or destroyed by the treatment method rendered in accord with the present invention. These non-target cells include but are not limited to healthy blood cells, and other normal tissue, not otherwise identified to be targeted.

In yet another application of the invention, the target tissue is bone marrow, or comprises cells afflicted with either an autoimmune disease or an inflammatory disease. A still further application of the present invention, relates to methods for the treatment of diffused disease, where the target tissue may include metastasized tumor cells; immunological cells; tissues infected with pathogenic agents or any other diseased or damaged tissues that are interspersed with normal or healthy tissue. "Diffused disease" is used herein to refer to a pathologic condition, wherein impaired or damaged tissue is not

localized but found in multiple sites throughout the mammalian subject.

“Destroy” means to kill or irreversibly damage the desired target cell. “Impair” means to change the target cell in such a way as to interfere with its function. For example, in North *et al.*, it is observed that after virus-infected T cells treated with benzoporphyrin derivatives (“BPD”) were exposed to light, holes developed in the T cell membrane and increased in size until the membrane completely decomposed (Blood Cells 18:129-40, (1992)). Target cells are understood to be impaired or destroyed even if the target cells are ultimately disposed of by macrophages.

The present invention also includes methods for administering photodynamic therapy to a target tissue in a mammalian subject, where the target tissue is irreversibly damaged or destroyed resulting in extensive necrosis. “Extensive necrosis” is used herein to refer to the formation of a zone of necrotic tissue greater than about 3 cm circumference around a light source implanted probe or greater than about 1 cm radius from the position of the light source. More preferably, the zone of necrosis is greater than about 5 cm around a light source implanted probe or greater than about 2 cm radius from the position of the light source.

“Energy activated agent” is a chemical compound that binds to one or more types of selected target cells and, when exposed to energy of an appropriate waveband, absorbs the energy, causing substances to be produced that impair or destroy the target cells.

“Photosensitizing or photosensitizer agent” is a chemical compound that is absorbed by or preferentially associates with one or more types of selected target cells and, when exposed to light of an appropriate waveband, absorbs the light, causing substances to be produced that impair or destroy the target cells. Virtually any chemical compound that preferentially is absorbed or linked to a selected target and absorbs light causing the desired therapy to be effected may be used in this invention. Preferably, the photosensitizing agent or compound is nontoxic to the animal to which it is administered or is capable of being formulated in a nontoxic composition that can be administered to the animal. In addition, following exposure to light, the photosensitizing agent in any resulting photodegraded form is also preferably nontoxic. A comprehensive listing of photosensitive chemicals may be found in Kreimer-Birnbaum, *Sem. Hematol*, 26:157-73, (1989). Photosensitive agents or compounds include, but are not limited to, chlorins, bacteriochlorins, phthalocyanines, porphyrins, purpurins, merocyanines, psoralens, benzoporphyrin derivatives (BPD), and

porfimer sodium and pro-drugs such as delta-aminolevulinic acid, which can produce photosensitive agents such as protoporphyrin IX. Other suitable photosensitive compounds include ICG, methylene blue, toluidine blue, texaphyrins, and any other agent that absorbs light in a range of 500 nm-1100 nm.

5 The term “preferentially associates” or “preferential association” is used herein to describe the preferential association between a photosensitizing agent and target tissue, such as tumor cells or tumor tissue. More specifically, the present invention provides for the photodynamic therapy of a mammalian subject, where the preferential association by photosensitizing agents for target tissue, including tumor cells or tumor tissues, results in
10 the destruction or damage to target tissue upon irradiation. The surrounding normal or healthy tissue is not damaged, where the photosensitizing agent clears much more rapidly from normal cells or tissues than it does from target tissue.

 The term “prodrug” is used herein to mean any of a class of substances that are not themselves photosensitive agents, but when introduced into the body, through metabolic,
15 chemical, or physical processes, are converted into a photosensitive agent. In the following disclosure, an aminolevulinic acid (ALA) is the only exemplary prodrug. After being administered to a patient, ALA is metabolically converted into a porphyrin compound that is an effective photosensitive agent.

 “Radiation” as used herein includes all wave lengths and wavebands. Preferably,
20 the radiation wave length or waveband is selected to correspond with or at least overlap the wave length(s) or wavebands that excite the photosensitive compound. Photosensitive agents or compound typically have one or more absorption wavebands that excite them to produce the substances, which damage or destroy target tissue, target cells, or target compositions. Even more preferably, the radiation wave length or waveband matches the
25 excitation wave length or waveband of the photosensitive compound and has low absorption by the non-target cells and the rest of the intact animal, including blood proteins. For example, a preferred wave length of light for ICG is in the range 750-850 nm.

 The radiation used to activate the photosensitive compound is further defined in this invention by its intensity, duration, and timing with respect to dosing a target site. The
30 intensity or fluence rate must be sufficient for the radiation to penetrate skin and reach the target cells, target tissues, or target compositions. The duration or total fluence dose must be sufficient to photoactivate enough photosensitive agent to achieve the desired effect on

the target site. Both intensity and duration are preferably limited to avoid over treating the subject or animal. Timing with respect to the dosage of the photosensitive agent employed is important, because (1) the administered photosensitive agent requires some time to home in on target cells, tissue, or compositions at the treatment site, and (2) the blood level of many photosensitive agents decreases with time.

The present invention provides a method for providing a medical therapy to an animal, and the term "animal" includes, but is not limited to, humans and other mammals. The term "mammals" or "mammalian subject" includes farm animals, such as cows, hogs and sheep, as well as pet or sport animals such as horses, dogs, and cats.

Reference herein to "intact animal" means that the whole, undivided animal is available to be exposed to radiation. No part of the animal is removed for exposure to the radiation, in contrast with photophoresis, in which an animal's blood is circulated outside its body for exposure to radiation. However, in the present invention, the entire animal need not be exposed to radiation. Only a portion of the intact animal subject may or need be exposed to radiation, sufficient to ensure that the radiation is administered to the treatment site where the target tissue, cells, or compositions are disposed.

In the present invention, a photosensitizing agent is generally administered to the animal before the animal is subjected to radiation. Preferred photosensitizing agents include, but are not limited to, chlorins, bacteriochlorins, phthalocyanines, porphyrins, purpurins, merocyanines, psoralens and pro-drugs such as δ -aminolevulinic acid, which can produce drugs such as protoporphyrin. More preferred photosensitizing agents are: methylene blue, toluidine blue, texaphyrins, and any other agent that absorbs light having a wavelength or waveband in the range from 600 nm–1100 nm. Most preferred of the photosensitizing agents is ICG. The photosensitizing agent is preferably administered locally or systemically, by oral ingestion, or by injection, which may be intravascular, subcutaneous, intramuscular, intraperitoneal or directly into a treatment site, such as intratumoral. The photosensitizing agent also can be administered enterally or topically via patches or implants.

The photosensitizing agent also can be conjugated to specific ligands known to be reactive with a target tissue, cell, or composition, such as receptor-specific ligands or immunoglobulins or immunospecific portions of immunoglobulins, permitting them to be more concentrated in a desired target cell or microorganism than in non-target tissue or

cells. The photosensitizing agent may be further conjugated to a ligand-receptor binding pair. Examples of a suitable binding pair include but are not limited to: biotin-streptavidin, chemokine-chemokine receptor, growth factor-growth factor receptor, and antigen-antibody. As used herein, the term "photosensitizing agent delivery system" refers to a photosensitizing agent conjugate, which because of its conjugation, has increased selectivity in binding to a target tissue, target cells, or target composition. The use of a photosensitizing agent delivery system is expected to reduce the required dose level of the conjugated photosensitizing agent, since the conjugate material is more selectively targeted at the desired tissue, cell, or composition, and less of it is wasted by distribution into other tissues whose destruction should be avoided.

In FIGURES 3A and 3B, an example of a photosensitizing agent delivery system is illustrated in which the target tissue is endothelial layer 24, which is disposed along blood vessel wall 22 of tumor blood vessel 20. As shown in FIGURE 3A, antibodies 28 are coupled with biotin molecules 42 and thus selectively linked to endothelial antigens 26 along the endothelial layer. FIGURE 3B illustrates avidin molecules 44 coupled to PDT photosensitive drug molecules 30, where the avidin molecules bind with biotin molecules 42. This system thus ensures that the PDT photosensitive drug molecules 30 only link with the selectively targeted endothelial tissue. When light of the appropriate waveband is administered, it activates the PDT photosensitive drug molecules, causing the endothelial tissue to be destroyed.

FIGURES 4A – 4C illustrate a mechanism for amplifying the effect on a tumor of PDT administered to destroy the endothelial tissue in a tumor blood vessel 50. Tumor blood vessel 50 distally branches into two smaller blood vessels 52. In FIGURE 4A, the PDT administered to activate the PDT photosensitive drug molecules has produced substantial damage to the endothelium, creating an intravascular thrombosis (or clot) 54. As shown in FIGURE 4B, the intravascular thrombosis is carried distally through tumor blood vessel 50 until it reaches the bifurcation point where smaller diameter blood vessels 52 branch. Due to the flow through smaller internal diameter of blood vessels 52, intravascular thrombosis 54 can not advance any further, and is stopped, creating a plug that virtually stops blood flow through tumor blood vessel 50. The interruption of blood flow also interrupts the provision of nutrients and oxygen to the surrounding tumor cells, causing the tumor cells to die. The dying tumor cells are within a zone of necrosis 58 that

increases in volume over time, thereby amplifying the effects of the PDT on the endothelium tissue of the tumor blood vessels.

A photosensitizing agent can be administered in a dry formulation, such as pills, capsules, suppositories or patches. The photosensitizing agent also may be administered in
5 a liquid formulation, either alone, with water, or with pharmaceutically acceptable excipients, such as are disclosed in Remington's Pharmaceutical Sciences. The liquid formulation also can be a suspension or an emulsion. In particular, liposomal or lipophilic formulations are desirable. If suspensions or emulsions are utilized, suitable excipients include water, saline, dextrose, glycerol, and the like. These compositions may contain
10 minor amounts of nontoxic auxiliary substances such as wetting or emulsifying agents, antioxidants, pH buffering agents, and the like.

The dose of photosensitizing agent will vary with the target tissue, cells, or composition, the optimal blood level (see Example 1), the animal's weight, and the timing and duration of the radiation administered. Depending on the photosensitizing agent used,
15 an equivalent optimal therapeutic level will have to be empirically established. Preferably, the dose will be calculated to obtain a desired blood level of the photosensitizing agent, which will likely be between about 0.01 $\mu\text{g/ml}$ and 100 $\mu\text{g/ml}$. More preferably, the dose will produce a blood level of the photosensitizing agent between about 0.01 $\mu\text{g/ml}$ and 10 $\mu\text{g/ml}$.

20 The intensity of radiation used to treat the target cell or target tissue is preferably between about 5 mW/cm^2 and about 100 mW/cm^2 . More preferably, the intensity of radiation employed should be between about 10 mW/cm^2 and about 75 mW/cm^2 . Most preferably, the intensity of radiation is between about 15 mW/cm^2 and about 50 mW/cm^2 .

25 The duration of radiation exposure administered to a subject is preferably between about 30 minutes and about 72 hours. More preferably, the duration of radiation exposure is between about 60 minutes and about 48 hours. Most preferably, the duration of radiation exposure is greater than about 2 hours, such as between about 2 hours and about 24 hours.

30 It is contemplated that a targeted photosensitizer agent can be substantially and selectively photoactivated in the target cells and target tissues within a therapeutically reasonable period of time and without excess toxicity or collateral damage to non-target normal tissues. Thus, there appears to be a therapeutic window bounded by the targeted photosensitizer agent dosage and the radiation dosage. In view of problems in the prior art

related to either extracorporeal treatment of target tissues or use of high intensity laser light irradiation intra-operatively, the present invention offers substantial advantages. In accord with the present invention, targeted transcutaneous PDT will be employed to treat patients injected with a photosensitizer agent and will subject the patients to a relatively low fluence rate, but high total fluence dose of radiation. This approach is an attractive method for
5 treating target tissues that include neoplastic diseased tissue, infectious agents, and other pathological tissues, cells, and compositions.

One aspect of the present invention is drawn to a method for transcutaneous energy activation therapy applied to destroy tumors in a mammalian subject or patient by first
10 administering to the subject a therapeutically effective amount of a first conjugate comprising a first member of a ligand-receptor binding pair conjugated to an antibody or antibody fragment. The antibody or antibody fragment selectively binds to a target tissue antigen. Simultaneously or subsequently, a therapeutically effective amount of a second
15 conjugate comprising a second member of the ligand-receptor binding pair conjugated to an energy-sensitive agent or energy-sensitive agent delivery system or prodrug is administered to the patient, wherein the first member binds to the second member of the ligand-receptor binding pair. These steps are followed by irradiating at least a portion of the subject with energy having a wavelength or waveband absorbed by the energy-sensitive agent, or energy-sensitive agent delivery system, or by the product thereof. This radiation energy is
20 preferably provided by an energy source that is external to the subject and is preferably administered at a relatively low fluence rate that results in the activation of the energy-sensitive agent, or energy-sensitive delivery system, or prodrug product.

While one preferred embodiment of the present invention is drawn to the use of light energy for administering PDT to destroy tumors, other forms of energy are within the
25 scope of this invention, as will be understood by those of ordinary skill in the art. Such forms of energy include, but are not limited to: thermal, sonic, ultrasonic, chemical, light, microwave, ionizing (such as x-ray and gamma ray), mechanical, and electrical. For example, sonodynamically induced or activated agents include, but are not limited to: gallium-porphyrin complex (see Yumita *et al.*, Cancer Letters, 112: 79-86, (1997)), other
30 porphyrin complexes, such as protoporphyrin and hematoporphyrin (see Umemura *et al.*, Ultrasonics Sonochemistry 3:S187-S191, (1996)); other cancer drugs, such as daunorubicin and adriamycin, used in the presence of ultrasound therapy (see Yumita *et al.*, Japan J.

Hyperthermic Oncology, 3(2):175-182, (1987)).

FIGURE 5 illustrates the use of an external ultrasound transducer head 60 for generating an ultrasonic beam 62 that penetrates through a dermal layer 64 and into a subcutaneous layer 66. The external ultrasound transducer head is brought into contact with dermal layer 64 so that ultrasonic beam 62 is directed toward a relatively deep tumor 68. The ultrasonic beam activates a PDT photosensitive drug that has been administered to the patient and selectively targeted at tumor 68, causing the drug to destroy the tumor.

This invention further preferably employs an energy source, e.g., a light source, that is external to the target tissue. The target tissues may include and may relate to the vasculature or blood vessels that supply blood to tumor tissue or the target tissues may include the tumor tissue antigens, per se. These target tissue antigens will readily understood by one of ordinary skill in the art to include but to not be limited to: tumor surface antigen, tumor endothelial antigen, non-tumor endothelial antigen, and tumor vessel wall antigen, or other antigens of blood vessels that supply blood to the tumor.

Where the target tissue includes endothelial or vascular tissue, a preferable ligand-receptor binding pair includes biotin-streptavidin. In this preferred embodiment, the activation of photosensitizer agents by a relatively low fluence rate of a light source over a prolonged period of time results in the direct or indirect destruction, impairment or occlusion of blood supply to the tumor resulting in hypoxia or anoxia to the tumor tissues. Where the target tissue includes tumor tissue other than endothelial or vascular, the activation of photosensitizer agents by a relatively low fluence rate of a light source over a prolonged period of time results in the direct destruction of the tumor tissue due to deprivation of oxygen and nutrients from the tumor cells.

The ordinary skilled artisan would be familiar with various ligand-receptor binding pairs, including those known and those currently yet to be discovered. Those known include, but are not limited to: biotin-streptavidin, chemokine-chemokine receptor, growth factor-growth factor receptor, and antigen-antibody. The present invention contemplates at least one preferred embodiment that uses biotin-streptavidin as the ligand-receptor binding pair. However, the ordinary skilled artisan will readily understand from the present disclosure that any ligand-receptor binding pair may be useful in practicing this invention, provided that the ligand-receptor binding pair demonstrates a specificity for the binding by

the ligand to the receptor and further provided that the ligand-receptor binding pair permits the creation of a first conjugate comprising a first member of the ligand-receptor binding pair conjugated to an antibody or antibody fragment. In this case, the antibody or antibody fragment selectively binds to a target tissue antigen and permits the creation of a second
5 conjugate comprising a second member of the ligand-receptor binding pair conjugated to an energy-sensitive or photosensitizing agent, or energy-sensitive or photosensitizing agent delivery system, or prodrug. The first member then binds to the second member of the ligand-receptor binding pair.

Another preferred embodiment of the present invention includes a photosensitizing agent delivery system that utilizes both a liposome delivery system and a photosensitizing agent, where each is separately conjugated to a second member of the ligand-receptor binding pair, and where the first member binds to the second member of the ligand-receptor binding pair. More preferably, the ligand-receptor binding pair is biotin-streptavidin. In this embodiment, the photosensitizing agent as well as the photosensitizing agent delivery
10 system may both be specifically targeted through selective binding to a target tissue antigen by the antibody or antibody fragment of the first member binding pair. Such dual targeting is expected to enhance the specificity of uptake and to increase the quantity of uptake of the photosensitizing agent by the target tissue, cell, or compositions.

In a more preferred embodiment of the invention, a photosensitizer compound is used that clears the normal tissue of the skin in a short amount of time and is retained in the targeted tissue for a relatively longer period of time. Examples of such photosensitizer compounds include Lutrin™ (lutetium texaphyrin, brand; Pharmacyclics, Inc, Sunnyvale, CA) and bacteriochlorophylls. Preferably the waiting time for the photosensitizer compound to clear the normal tissue and skin is about 24 hours. The exact dosage of such
15 a photosensitizer compound can be determined clinically but is expected to be administered, preferably intravenously, at dosages of from 0.05 to 4.0 mg/kg.

After the drug has cleared the normal tissues, it is retained in the target tissue, such as a tumor, a light source is positioned above the site to be treated. Any suitable light source can be used, such as LED array, laser diode array, or any other type of
20 electroluminescent device such as a light emitting flat panel which can be flexible or nonflexible. After the light emitting device is energized, the light is transmitted noninvasively through the skin and intravening tissues to the treatment site. The length of
30

time of treatment may be optimized in a clinical trial using standard clinical practice and procedures. It is expected that at least about two hours of treatment time will be necessary to ensure that an adequate number of photochemical reactions occurs in order to completely destroy the target tissue so that cellular repair is not feasible. The targeted tissue, which has selectively taken up the photosensitizer compound, is destroyed during the light activation or PDT process. Unlike radiotherapy and chemotherapy, there is less dose limitation of the drug or the light and thus the process can be repeated as necessary if new tumor tissues develop.

Although light is delivered through normal tissue, there is little, if any, collateral damage to normal tissue because the drug is taken up selectively and the PDT effect only occurs where drug uptake has taken place. A unique aspect of this methodology is that each drug molecule can be repeatedly activated causing a drug amplification effect. The drug amplification effect allows a relatively low dose of drug to be highly effective in terms of singlet oxygen generation by the photoactivation process. Notably, whether it is the singlet oxygen generated from the PDT activation of the drug which destroys the tumor cells or an immune response stimulated by PDT tumor tissue damage or both, there is little damage to the tissue from the drug itself.

EXAMPLES

Having now generally described the invention, it will be more readily understood through reference to the following examples, which are provided by way of illustration and are not intended to be limiting in regard to the scope of the invention, unless specified.

Example 1

Transcutaneous Photodynamic Therapy of a Solid Type Tumor

A patient in the terminal phase of recurrent malignant colon cancer having undergone chemotherapy and irradiation therapy, presented with a protruding colon carcinoma tumor mass of approximately 500 grams and approximately 13 cm in diameter, which extended through the patient's dermis. Due to the advanced state of the patient's disease and due to the highly vascularized nature of this tumor mass, resection was not feasible. Further, this large tumor mass presented a significant amount of pain and discomfort to the patient, as well as greatly impairing the patient's ability to lie flat.

Six separate light source probes, each including a linear array of LEDs, were

5 surgically implanted in this large human tumor using standard surgical procedures. A single dose of a photosensitizer agent (aminolevulinic acid (ALA) at 60 mg/kg) was provided by oral administration to the patient. Following a period of five hours to permit sufficient clearance of the photosensitizing agent from healthy tissues, light irradiation was administered. An intensity of about 25-30 mW of light from each light source probe (650 nm peak wavelength) was delivered to the tumor for 40 hours. However, after 18 hours, two of the light source probes became unseated from the tumor mass and were disconnected from the electrical power supply used to energize the LEDs on each probe. The total fluence delivered to the tumor bed during this single extended duration treatment was in excess of 20,000 Joules.

10 Extensive tumor necrosis in a radius of greater than about 5 cm from each of the light source probes was observed after 40 hours of PDT, with no collateral damage to surrounding normal tissue. The extent of this PDT induced necrotic effect in a large volume of tumor tissue was totally unexpected and has not been described before in any PDT studies in subjects *in vivo* or clinically. Over the course of four weeks following PDT, the necrotic tumor tissue was debrided from the patient resulting in a reduction of approximately 500 grams of tumor tissue. The patient noted a significant improvement in his quality of life, with a resurgent level of energy and improved well being.

15 The average thickness of human skin is approximately 1 cm. Therefore, if this same method of prolonged, relatively *low* fluence rate, but overall *high total* fluence of light delivery is utilized to deliver the light transcutaneously, a therapeutic effect well below the skin surface, to a depth of greater than about 5 cm is contemplated.

20 The fluence rate employed in this Example represented about 150-180 mW/cm², with a total fluence more than 20,000 Joules. The preferable fluence rate contemplated more broadly by the present invention is between about 5 mW/cm² and about 100 mW/cm², more preferably, between about 10 mW/cm² and about 75 mW/cm², and most preferably, between about 15 mW/cm² and about 50 mW/cm².

25 It is further contemplated that the optimal total fluence be empirically determined, using a light dose escalation trial, and will likely and preferably be in the range of about 30 Joules to about 25,000 Joules, and more preferably be in the range from about 100 Joules to about 20,000 Joules, and most preferably be in the range from about 500 Joules to about 10,000 Joules.

Example 2

Transcutaneous Photodynamic Therapy of Intraosseous Disease

5 The current accepted therapy for treating leukemia and other malignant bone marrow diseases employs a systemic treatment utilizing chemotherapy and/or radiotherapy, sometimes followed by a bone marrow transplant. There are significant risks associated with non-discriminative ablative therapies that destroy all marrow elements, including the risks of infections, bleeding diathesis, and other hematological problems.

10 There is a definite need for alternative therapies that do not subject patients to procedures which may be risky and which inherently cause pain and suffering. This example is directed to a method of treating intraosseous malignancy that has major advantages over the prior art techniques for treating this disease.

15 A targeted antibody-photosensitizer conjugate (APC) is constructed, which binds selectively to antigens present on leukemic cells. This ligand-receptor binding pair or APC is infused intravenously and is taken up in the marrow by circulating leukemic cells, and by stationary deposits that may reside in other organs. When unbound to leukemic cells, APC is eliminated from the body. Internal or external light sources may be used to activate the targeted drug. For example, light bar probes disclosed in U.S. Patent No. 5,445,608 may be inserted into bone marrow to treat the intraosseous disease. The devices disclosed in U.S. Patent No. 5,702,432 may be used to treat disease cells circulating in the patient's lymphatic or vascular system. An external device transcutaneously activating the targeted drug, for example, a light source that emits light that is transmitted through the dermal layer may also be used in treating the marrow compartment in accord with the present invention.

25 PDT targeting has been described for leukemic cells (see U.S. Patent No. 5,736,563). but not with capability of treating marrow *in situ*. Without this capability, simply lowering the leukemic cell count would have little clinical benefit, since the marrow is a major source of new leukemic clones, and the marrow must be protected from failure, which will lead to the death of the patient regardless of how well the pathologic cell load in the circulation is treated. Specific APC promotes the selective damage of leukemic cells in marrow, while reducing collateral and non-target tissue damage. Further, the use of a relatively low fluence rate, but overall high total fluence dose is particularly effective in

30

this therapy. Optimal fluence rates and dosing times are readily empirically determined using dose escalation for both drug and light dose as is often done in a clinical trial. Any of a number of different types of leukemia cell antigens may be selected, provided that the antigen chosen is as specific as possible for the leukemia cell. Such antigens will be known to those of ordinary skill in this art. The selection of a specific photosensitizer agent may be made, provided that the photosensitizer agent chosen is activated by light having a waveband of from about 500 nm to about 1100 nm, and more preferably, a waveband from about 630 nm to about 1000 nm, and most preferably, a waveband from about 800 nm to about 950 nm or greater. The photosensitizer agents noted above are suitable for use in this Example.

With reference to FIGURE 6, external light source 10 is administering light 12 transcutaneously through dermal layer 18. Light 12 has a sufficiently long wavelength to pass through a subcutaneous layer 70 and through a cortical bone surface 74, into a bone marrow compartment 76. Leukemia cells 78 have penetrated bone marrow compartment 76 and are distributed about within it. To provide targeted PDT treatment that will destroy the leukemia cells, antibodies 82 linked with PDT photosensitive drug molecules 84 have been administered to the patient and have coupled with leukemia antigens 80 on the leukemia cells. The light provided by external light source 10 thus activates the PDT photosensitive drug, causing it to destroy the leukemia cells. This targeted PDT process is carried out with minimal invasive or adverse impact on the patient, in contrast to the more conventional treatment paradigms currently used.

Example 3

Transcutaneous Photodynamic Therapy of Crohn's Disease

Crohn's disease is a chronic inflammation of the gastrointestinal tract thought to be mediated in large part by dysfunction of CD4⁺ T cells lining the gut mucosa, especially in the terminal ileum. The current accepted therapy for Crohn's disease provides for surgical removal of the inflamed bowel segment and the use of anti-inflammatory agents, steroids and other immunosuppressive drugs. None of these measures is entirely satisfactory due to surgical risk, recurrence of disease, medication side effects, and refractoriness of the disease. There is a clear need for alternative therapies useful in treating this immune dysfunction that offer greater efficacy and reduced side effects and risk. This Example,

5 details of which are illustrated in FIGURE 7, indicates the drug compositions and methodologies useful in accord with the present invention to selectively destroy the dysfunctional cells or inhibit their function. In the illustrated example, external light source 10 is administering light 12 that has a sufficiently long wavelength to penetrate dermal tissue 18, which is disposed over a patient's abdomen, and pass through a subcutaneous layer 90, into a terminal ileum or colon 92. The light passes through wall 94 of the terminal ileum or colon. Alternatively (or in addition), light 12' can be administered from an intraluminal probe 96, from sources (not separately shown) that are energized with an electrical current supplied through a lead 98.

10 Ligand-receptor binding pairs 100, or more specifically, APCs, are created that bind selectively to CD4⁺ T cell antigens 102 of T cells 104, which are disposed along the interior, intraluminal surface of the terminal ileum or colon. For example, the CD4⁺ antigen itself may be targeted by those antibodies 106 that bind specifically to the CD4⁺ antigen. Many of the photosensitizer agents noted above may be used for photosensitizing drug molecules 108, in the therapy of this Example. The APC is preferably formulated into a pharmaceutically acceptable compound that can be released in the terminal ileum and colon in a manner similar to that known to be used for the orally delivered form of Budesonide™ also known as Entocort™. The APC compound is ingested and releases the conjugate into the terminal ileum and colon. At the time of therapy, the bowel should have been prepped in much the same manner as done in preparing for a colonoscopy, so that it is cleared of fecal material. The targeted photosensitizer will bind to the pathologic T cells and any unbound APC is removed via peristaltic action. The sensitizer bound to the T cells is activated by intraluminally positioned light source probe 96, details of which are disclosed in any one of U.S. Patent Nos.: 5,766,234; 5,782,896; 5,800,478; and 5,827,186, each of which is hereby incorporated by reference herein in its entirety; or by a flexible intraluminal optical fiber (not shown) that is passed via the nasopharynx; or, by the transcutaneous light illumination provided by external light source 10. Transcutaneous light illumination is preferred because it is entirely noninvasive.

In this exemplary treatment, the following protocol may be utilized:

30 Step 1 Patient is NPO (“*non per os*” or nothing by mouth) and the bowel has been prepped or cleansed by administering an enema to clear it of fecal material;

Step 2 Specially formulated APC conjugate compound 100 is ingested;

Step 3 The APC conjugate is released to the terminal ileum and colon;

Step 4 If transcutaneous illumination is not used, one or more light source probes 96 are ingested or passed into the GI tract and advanced to the terminal ileum or colon.

5 Step 5 the APC conjugate is bound to target T cells 104 and any unbound conjugate fraction passes distally via peristalsis (and is subsequently eliminated from the body).

Step 6 If an internal light source is used, the light source should preferably be imaged using ultrasound or computer assisted topography (i.e., a CT scan – not shown) to confirm its location and the light source can then be activated while positioned in the ileum. 10 Once activated, the light source will deliver light at the appropriate waveband for the photosensitizing agent selected, at a relatively low fluence rate, but at a high total fluence dose, as noted above. The optimal drug dose and fluence parameters will be determined clinically in a drug and light dose escalation trial. The light dose and drug dose are such that T cell inactivation occurs, leading to decreased regulation of the immune process and a 15 reduction of any pathologic inflammation – both of which are factors characteristic of this disease.

Step 7 The light source is deactivated. It is particularly important to deactivate an internal light source before withdrawing it from the treatment site to prevent nonspecific APC activation.

20 The present invention can also be employed to target other types of immunologic cells, such as other T cells, macrophages, neutrophils, B cells, and monocytes. A tiered approach can thus be employed, starting with CD4⁺ T cells, then moving to CD8⁺ T cells, and then monocytes, and neutrophils. By inhibiting or preventing interaction and/or secretion of inflammatory cell products, the pathologic process is controlled at the luminal 25 site, completely avoiding systemic side effects and major surgery. The same process can be applied to treat ulcerative colitis with the same benefits. As indicated above, the APC can be activated with light administered transcutaneously, using any number of different types of external light sources such as LEDs, laser diodes, and lamps that emit light with a wavelength or waveband sufficiently long to penetrate through the overlying dermal and 30 internal tissue, and into the intestine. The optimal wavelength or waveband of this light is determined by both the light absorption properties of the photosensitizer and the need to use light with as long a wavelength as possible to ensure adequate penetration into the

patient's body. A desirable photosensitizer is preferably one that absorbs in the range from about 700 nm to about 900 nm, which optimizes tissue penetration. The appropriate fluence rate and total fluence delivered is readily determined by a light dose escalation clinical trial. The light dose and drug dose are such that T cell inactivation occurs, leading to reduced regulation of the immune process and a reduction in pathologic inflammation.

Example 4

Intraluminal/Transcutaneous PDT Targeted at *Helicobacter pylori*

Targeting of photosensitizers to link with bacterial cells is known in the prior art. Many antigens that can serve as targets for ligand-receptor binding pairs, and more specifically, APC, have been identified, and the techniques to construct such conjugates are well known to those of ordinary skill in this art. What is not apparent from the prior art are the steps necessary to for apply such conjugates in the treatment of a clinical disease. This Example describes the clinical application of APC to the treatment of an infection using PDT. FIGURE 8 illustrates details of the example, as described below.

Helicobacter pylori is reportedly associated with tumors of the stomach in mice and as a putative agent of ulcerative pathology in humans. Proposals have been described to employ laser light as disclosed by Wilder-Smith *et al.* (*AGA Abstracts: Gastroenterology*, 116(4), A354, 1999) for treating infection by *H. pylori* in human patients as well as infection by other bacteria (Millson *et al.*, *J. of Photochemistry and Photobiology*, 32: 59-65 (1996)). However, the use of laser light necessarily involves the use of high intensity irradiation for a short period of time, frequently resulting in undesirable collateral tissue damage.

In this Example, a capsular or pill-shaped and sized light source is administered orally to a patient, so that it passes into the stomach of the patient, where it administers light. Alternatively, an optical fiber (not shown) may be passed into the stomach via the nasopharynx to administer light to the treatment site. In order to implement targeted PDT for treating ulcers in humans, an APC, which is targeted against a suitable *Helicobacter pylori* antigen is formulated into an ingestible compound that releases the APC to a gastric mucus/epithelial layer where the bacterium is found. The APC is ingested at a time when the stomach and duodenum is substantially empty in order to promote binding of the APC to bacterium. Any unbound APC is diluted by gastric

juice and carried distally by peristalsis to be eliminated from the body in fecal matter. Light sources suitable for intraluminal passage are disclosed in any one of U.S. Patent Nos.: 5,766,234; 5,782,896; 5,800,478; and 5,827,186, the disclosure of each being specifically hereby incorporated herein in its entirety. Alternatively, light source 120 in capsule or pill form, e.g., as disclosed in copending commonly assigned U.S. Patent application, Serial No. 09/260,923, entitled, "Polymer Battery for Internal Light Device," filed on March 2, 1999 is used for activating the APC. The light source is preferably energized just prior to its ingestion or remotely after ingestion, when in the stomach or in a desired intraluminal passage. If necessary, multiple light sources are ingested to insure that adequate photoactivation of the localized APC occurs sufficient to kill the bacterium. Light is delivered at a relatively low fluence rate but at a high total fluence dose, as discussed above. The light source(s) may be deactivated after passage beyond the duodenum to avoid unwanted distal photoactivation. In this manner, a photosensitizing agent 132 comprising the APC is activated topically without the need for a procedure such as endoscopy with fiberoptic gastric illumination in order to provide the activating light. Since the APC is targeted, nonspecific uptake by normal tissue and other normal compositions of the body is minimized in order to prevent injury to normal gastric tissue and problems with the gastric system.

In this exemplary treatment, the following protocol may be utilized:

Step 1 Patient is NPO for six hours to insure that the stomach is empty.

Step 2 The APC is ingested.

Step 3 One hour elapses to allow for bacterial binding and distal passage of unbound APC. The optimal period can be longer or shorter and is readily determined by measuring the clinical response; for example, response can be determined endoscopically by observation and biopsy.

Step 4 One or more light sources are ingested sequentially and activated in the stomach. The length of time that light is administered by these sources and the number of sources that are ingested will be determined clinically in a light dose escalation study. The churning action of the stomach serves to translocate the light source(s) so that the light is distributed more evenly prior to passage of the source(s) into the duodenum. Since each light source is small (the size of a pill or tablet), it passes easily out through the GI system via peristalsis.

Step 5 The light sources are deactivated after distal passage beyond the gastroduodenal area and excreted in fecal matter.

Note that it is also contemplated that an external light source located over the gastric area can be used to transcutaneously administer light to the treatment site, and that an ultrasonic transducer (not shown here, but generally like that shown in FIGURE 5) can alternatively be employed to activate the APC, provided that photosensitizer agent 132 comprising the APC is activated by the frequency of ultrasonic energy transmitted by the transducer. The use of an external light source requires that the APC and the light source absorb and emit in the near infrared to infrared range, respectively, so that the light will efficiently penetrate the patient's skin and reach the treatment site. Examples of long waveband photosensitizers are ICG, toluidine blue, and methylene blue, as disclosed herein.

Example 5

Transcutaneous PDT for Targeting Pulmonary Tuberculosis

An APC is formulated to bind with great affinity to *Mycobacterium tuberculosis* in a selective and specific manner. Preferably, the APC is formulated as an aerosol, which can be easily inhaled, enabling distribution into all lung segments. Steam is then inhaled to solubilize any unbound APC and facilitate its removal from the lung by exhalation.

Alternatively, the APC is formulated as an injectable compound and administered intravenously. Either way, the bound APC is photoactivated by an external light source disposed on the chest and/or back.

Step 1 The APC is inhaled or injected.

Step 2 Time is allowed to elapse to allow binding of the APC with the *Mycobacterium tuberculosis*, followed by steam inhalation to remove any unbound APC (if inhaled). The time required to ensure a therapeutically effective dose of bound APC may be routinely determined clinically using standard clinical practices and procedures.

Step 3 The light source is disposed adjacent to the thorax and activated for a sufficient time to ensure that therapeutic irradiation has occurred, which may be routinely determined clinically using conventional clinical practices and procedures. The fluence rate and total fluence dose may be determined as noted above.

Note that alternatively, an internal light source disposed within the thoracic area can

be used to administer the light. A further alternative would be the use of an external ultrasonic transducer to produce ultrasonic sound waves that activate the APC. The use of an external light source requires that the APC and the light source respectively absorb and emit light in the near infrared to infrared range to ensure efficient skin penetration of the light. Examples of long waveband photosensitizers are ICG, toluidine blue, methylene blue.

Example 6

Transcutaneous PDT for Targeting Otitis Media

A photosensitizer conjugate is formulated which binds with great affinity to *Streptococcus pneumoniae* and *Hemophilus influenzae* in a selective manner. The APC is formulated into an injectable, which can be administered intravenously or instilled topically into the middle ear via a previously placed tympanostomy tube. The drug is activated using light emitted by a small light source about the size, shape, and weight of a hearing aid, which is disposed behind the ear and aimed at the middle ear, so that the light passes into the middle ear transcutaneously.

Step 1 The APC fluid formulation is instilled into the middle ear.

Step 2 Sufficient time is allowed to elapse to allow binding of the APC with the disease organisms, and then, any excess fluid is drained away by gravity or actively aspirated using a needle and syringe.

Step 3 The light source is positioned behind the ear and activated. The light source need not be very intense since the middle ear cavity is small. Further, The fluence rate and total fluence dose may be followed as discussed above.

Example 7

Transcutaneous PDT for Targeting Antibiotic Associated Pseudomembranous Colitis

In cases where *Clostridium difficile* causes pseudomembranous colitis, the same scheme disclosed above for the treatment of *H. pylori* may be applied. The difference is that the APC is targeted toward *C. difficile* and the ingested light source is activated in the colon rather than in the stomach. Alternatively, the photosensitive agent can be activated with transcutaneously transmitted light from an external light source, or by ultrasonic energy produced by an ultrasonic transmitter.

Example 8

Transcutaneous PDT for Targeting Septic Shock Disease

5 A number of anti-endotoxin antibodies and peptides have been developed and synthesized that can be linked to photosensitizers to form anti-endotoxin APCs. These APCs are injected, allowed to bind and then activated transcutaneously with light, or by using the intracorporeal light emitting devices disclosed in U.S. Patent No. 5,702,432. For transcutaneous activation, an external light source is placed over a major vessel, preferably an artery, but most preferably a vein where the blood flow is slower, to allow more time for
10 APC activation.

Example 9

Liver Cancer Photodynamic Therapy by Transillumination

15 This Example uses the present invention for the treatment of an organ infiltrated with tumor tissue. Reference is made to FIGURE 9. Specifically, light 140 is administered by transillumination through liver tissue 142 from an implanted light source 144 that is disposed external to the surface of liver 142, but within the patient's body. In this embodiment, a patient is injected intravenously with a photosensitizer agent ICG, conjugated to an antibody that specific to vascular endothelial antigen (not separately
20 shown) on a tumor 146, so that the antibody binds with the antigen, but not to other tissue in the liver. The optimal dose of ICG will be empirically determined, for example, via a dose escalation clinical trial as is so often performed to evaluate chemotherapeutic agents. One or more light source probes 144 are surgically implanted (e.g., endoscopically) adjacent to, but not invading parenchymal tissue 148 of liver 142. After delaying a time
25 sufficient to permit clearing of the photosensitizer conjugate from the non-target tissues, the light source(s) is(are) activated, irradiating the target tissue with light 140 at a relatively low fluence rate, but administering a high total fluence dose of light in the waveband from about 750 nm to about 850 nm.

30 The specific dose of photosensitizer conjugate administered to the patient is that which will result in a concentration of active ICG in the blood of between about 0.01 $\mu\text{g/ml}$ and about 100 $\mu\text{g/ml}$ and more preferably, between about 0.01 $\mu\text{g/ml}$ and about 10 $\mu\text{g/ml}$. It is well within the skill of the ordinary skilled artisan to determine the specific

therapeutically effective dose using standard clinical practices and procedures. Similarly, a specific acceptable fluence rate and a total fluence dose may be empirically determined based upon the information provided in this disclosure.

5 Example 10

Rapid Tissue Clearance and Prolonged Tumor Retention followed by Transcutaneous Photodynamic Therapy

The present example employs Lutrin™ (lutetium texaphyrin, brand; Pharmacyclics, Inc, Sunnyvale, CA) as a photosensitizer drug compound. A proportion of Lutrin™ begins
10 to clear from normal tissue in about 3 hours, a larger proportion clears from normal tissue in about 8 hours, with an even greater proportion clearing in about 16 hours. The predominant amount of photosensitizer clears from normal tissue in about 24 hours from administration of the agent. However, tumor tissue retains the photosensitizer up to 48 to 96 hours after administration.

15 Reference is made to FIGURES 10A-10C. Lutrin™ is administered intravenously in a clinically determined dosage between 0.05 to 4.0 mg/kg as shown in FIGURE 10A. The optimal dosage may be adjusted or determined using standard clinical practice and procedures. Following a period of about 24 hours from administration, the Lutrin™ is cleared from normal tissues including skin and subcutaneous tissues. At this point, the
20 Lutrin™ is retained for the most part only in the tumor tissues.

An energy source, such as a light source, including: an LED array; a laser diode array or any other electroluminescent device, further including a light emitting flat panel, flexible or non-flexible is positioned extracutaneously above the site to be treated. The energy source, such as the LED, is energized and the light is transmitted noninvasively
25 through the skin and intervening tissues to the treatment site. A treatment time of longer than about two hours is sustained to insure an adequate number of photochemical reactions completely destroy the target tumor tissues.

The process can be repeated if necessary. Unlike radiotherapy or chemotherapy, there is less significant limitations on the dosage of the photosensitizer or light energy than
30 there is concerning the total dose radiation or chemotherapeutic agent. Radiation and chemotherapy usually result in significant collateral damage to normal tissues and other organ systems. However, since the photosensitizer agent is rapidly cleared from normal

tissues, only the tumor tissue is destroyed.

Additionally, the quantum mechanics of transcutaneous photodynamic therapy result in an amplification of the photosensitizer agent. Since each molecule of the photosensitizer agent is repeatedly activated upon transcutaneous illumination, a relatively low dose of the photosensitizer agent can be highly effective in destroying tumor tissue. Whether through singlet oxygen production upon photoactivation or stimulation of an immune response or both, transcutaneous photodynamic therapy demonstrates less adverse reaction or collateral normal tissue damage than most other forms of cancer therapy.

10 Example 11

PDT of Human Gall Bladder Carcinoma Cells - *In Vitro*

Human gall bladder carcinoma cells are grown to confluence in 12-well plates. An array of light emitting diodes are suspended above the plates to provide illumination. The cells are loaded with a variety of photosensitizers and illuminated for prolonged periods of time ranging from 48 - 72 hours with only 30-85 microwatts (uW) of light in some cases. In all cases virtually all tumor cells are reliably killed and histologically exhibit irreversible changes leading to cell death. (See Figures 11-14)

20 Example 12

PDT of Human Gall Bladder Carcinoma Cells - *In Vivo*

A series of experiments were performed using nude mice growing transplanted human tumors. The mice are injected with various photosensitizers and the tumors illuminated with low fluence of only 30 uW of light over a 72 hour time period. Extended tumor necrosis was observed.

25 Control

All control nude mice were injected with the PDT drug (intratumor or intraperitoneal) and 5 million human carcinoma cells which developed a tumor mass. These mice were kept in a darkened environment.

Pheophorbide A experiment

30 Two experimental mice were injected with epithelial cancer cells preincubated with 10 micrograms of Pheophorbide A. These mice were exposed to 660nm (peak) light for 48 hours (30 microwatts per cm²) with no tumor growth after 1.5 months. The control

animals ("dark controls") maintained in the absence of light developed a large tumor. Another two mice with established tumors were injected with 50-100 micrograms of Pheophorbide A into the lesion and exposed to 660nm light (30 microwatts per cm²) for 72 hours. Extensive tumor necrosis resulted after 7 days, but no effect was observed in the dark control animals.

Chlorin e6 experiment

Two experimental mice were injected with epithelial cancer cells preincubated with 20 micrograms of Chlorin e6. These mice were exposed to 660nm light for 48 hours (30 microwatts per cm²) with no tumor growth after 1.5 months. The dark control developed a large tumor. Another two mice were injected with 100-150 micrograms of Chlorin e6 intratumorally and then exposed to 660nm light (30 microwatts per cm²) for 72 hours. Extensive tumor necrosis resulted in both after 7 days.

Hpd experiment

Five experimental mice bearing established tumors were injected with 1 mg Hpd intraperitoneally followed by exposure to 630nm (peak) light (30 microwatts per cm²) for 72 hours. Extensive tumor necrosis was seen upon gross and histological examination in all cases after 7 days. There was no effect observed on control animals maintained in the absence of light (dark control mice).

Conclusion

Exceeding the photodynamic threshold using extended low light level PDT is tumoricidal.

Example 13

PDT of lesions in a blood vessel

A targeted antibody-photosensitizer conjugate (APC) is prepared using an antibody raised against antigens present on a lesion, where the lesion is of a type selected from the group consisting of atherosclerotic lesions, arteriovenous malformations, aneurysms, and venous lesions. Alternatively, a ligand-photosensitizer conjugate is prepared using a ligand that binds to a receptor protein present on a lesion.

Where antibody is raised against antigens of atherosclerotic plaque, the antibody is bound to a photosensitizing agent, such as ALA forming APCs. APCs are injected, allowed to bind and then activated transcutaneously with light, or by using the intracorporeal light emitting devices disclosed in U.S. Patent No. 5,702,432. For
5 transcutaneous activation, an external light source is placed over a major vessel, preferably an artery, but most preferably a vein where the blood flow is slower, to allow more time for APC activation. (See Figs. 15, 16 and 18)

A variation of this method provides for the preparation of a conjugate of a lesion specific protein or ligand to a sonic energy activated compound and irradiated
10 transcutaneously. (See Fig. 17)

This invention has been described by a direct description and by examples. As noted above, the examples are meant to be only examples and not to limit the invention in any meaningful way. Additionally, one having ordinary skill in the art to which this invention pertains in reviewing the specification and claims which follow would appreciate
15 that there are equivalents to those claimed aspects of the invention. The inventors intend to encompass those equivalents within the reasonable scope of the claimed invention. The invention in which an exclusive right is claimed is defined by the following:

CLAIMS

1. A method for administering a photodynamic therapy to a target tissue in a mammalian subject, comprising the steps of:

5 (a) administering to the subject a therapeutically effective amount of a photosensitizer compound having a characteristic light absorption waveband, said targeted photosensitizer compound preferentially associates with the target tissue, when compared with non-target tissue;

10 (b) irradiating at least a portion of the mammalian subject in which the target tissue to which the photosensitizer compound preferentially associates is disposed, with light having a waveband corresponding at least in part to the characteristic light absorption waveband of said photosensitizer compound;

15 (c) ensuring that an intensity of the light used for the step of irradiating is less than about 500 mW/cm^2 , and that a total fluence of the light used for irradiating is sufficiently high to activate said photosensitizer compound, said light activating the photosensitizer compound, causing said target tissue to be destroyed; and wherein said irradiating step is performed for at least 2 hours.

2. A method for administering a photodynamic therapy to a target tissue in a mammalian subject, comprising the steps of:

20 (a) administering to the subject a therapeutically effective amount of a photosensitizer compound having a characteristic light absorption waveband, said targeted photosensitizer compound preferentially associates with the target tissue, when compared with non-target tissue;

25 (b) irradiating at least a portion of the mammalian subject in which the target tissue to which the photosensitizer compound preferentially associates is disposed, with light having a waveband corresponding at least in part to the characteristic light absorption waveband of said photosensitizer compound;

30 (c) ensuring that an intensity of the light used for the step of irradiating is less than about 500 mW/cm^2 , and that a total fluence of the light used for

irradiating is sufficiently high to activate said photosensitizer compound, said light activating the photosensitizer compound, causing said target tissue to be destroyed; and wherein said total fluence of light is greater than about 50 Joules and said irradiating step is performed for at least 2 hours.

5

3. A method for administering a photodynamic therapy to a target tissue in a mammalian subject, comprising the steps of:

(a) administering to the subject a therapeutically effective amount of a photosensitizer compound having a characteristic light absorption waveband, said targeted photosensitizer compound preferentially associates with the target tissue, when compared with non-target tissue;

10

(b) irradiating at least a portion of the mammalian subject in which the target tissue to which the photosensitizer compound preferentially associates is disposed, with light having a waveband corresponding at least in part to the characteristic light absorption waveband of said photosensitizer compound;

15

(c) ensuring that an intensity of the light used for the step of irradiating is less than about 500 mW/cm^2 , and that a total fluence of the light used for irradiating is sufficiently high to activate said photosensitizer compound, said light activating the photosensitizer compound, causing said target tissue to be destroyed; wherein said total fluence of light is greater than about 50 Joules and said irradiating step is performed for at least 2 hours; and wherein said method results in extended necrosis to the target tissue.

20

4. A method for administering a photodynamic therapy to a target tissue in a mammalian subject, comprising the steps of:

25

(a) administering to the subject a therapeutically effective amount of a photosensitizer compound having a characteristic light absorption waveband, said targeted photosensitizer compound preferentially associates with the target tissue, when compared with non-target tissue;

30

(b) irradiating at least a portion of the mammalian subject in which the target tissue to which the photosensitizer compound preferentially associates is disposed,

with light having a waveband corresponding at least in part to the characteristic light absorption waveband of said photosensitizer compound;

- (c) ensuring that an intensity of the light used for the step of irradiating is less than about 500 mW/cm^2 , and that a total fluence of the light used for irradiating is sufficiently high to activate said photosensitizer compound, said light activating the photosensitizer compound, causing said target tissue to be destroyed; wherein said total fluence of light is greater than about 50 Joules and said irradiating step is performed for at least 2 hours; and said method is used to treat diffuse disease.

10

5. A method for administering a photodynamic therapy to a target tissue in a mammalian subject, comprising the steps of:

- (a) administering to the subject a therapeutically effective amount of a photosensitizer compound having a characteristic light absorption waveband, said targeted photosensitizer compound preferentially associates with the target tissue, when compared with non-target tissue;
- (b) irradiating at least a portion of the mammalian subject in which the target tissue to which the photosensitizer compound preferentially associates is disposed, with light having a waveband corresponding at least in part to the characteristic light absorption waveband of said photosensitizer compound;
- (c) ensuring that an intensity of the light used for the step of irradiating is less than about 500 mW/cm^2 , and that a total fluence of the light used for irradiating is sufficiently high to activate said photosensitizer compound, said light activating the photosensitizer compound, causing said target tissue to be destroyed; wherein said total fluence of light is greater than about 50 Joules and said irradiating step is performed for at least 2 hours; wherein said method results in extended necrosis to the target tissue; and said method is used to treat diffuse disease.

30

6. The method of claims 1-5, further comprising the step of allowing sufficient time for any photosensitizer compound that is not preferentially associated to

the target tissue to clear from the non-target tissue of the mammalian subject prior to the step of irradiating.

7. The method of claims 1-5, wherein said target tissue is selected from the group consisting of: vascular endothelial tissue; abnormal vascular wall of a tumor; solid tumor; tumor of a head; tumor of a neck; tumor of a gastrointestinal tract; tumor of a liver; tumor of a breast; tumor of a prostate; tumor of a lung; nonsolid tumor; malignant cells of either hematopoietic tissue or lymphoid tissue; lesions in a vascular system; diseased bone marrow; and diseased cells in which the disease is either autoimmune or inflammatory disease.

8. The method of claims 1-5, wherein the target tissue is selected from the group consisting of: microorganisms; toxins; and immune cells.

9. The method of claims 1-5, wherein the step of irradiating comprises the step of transcutaneous irradiation or interstitial transillumination or organ transillumination.

10. The method of claims 1-5, wherein the step of irradiating comprises the step of providing a light source that is disposed internal to an intact skin layer of the mammalian subject and wherein said light source is activated to produce the light.

11. The method of claims 1-5, wherein the light step of irradiating comprises the step of providing a source is disposed external to an intact skin layer of the mammalian subject and wherein said light source is activated to produce the light.

12. The method of claim 3 and 5, wherein said necrosis results in irreversible damage to said target tissue.

13. The method of claim 12, further comprising the step of allowing sufficient time for any photosensitizer compound that is not preferentially associated to the target tissue to clear from the non-target tissue of the mammalian subject prior to the step of irradiating.

5

14. The method of claim 12, wherein the target tissue is selected from the group consisting of: microorganisms; toxins; and immune cells.

15. The method of claim 12, wherein the step of irradiating comprises the step of transcutaneous irradiation or interstitial transillumination or organ transillumination.

10

16. The method of claim 12, wherein the step of irradiating comprises the step of providing a light source that is disposed internal to an intact skin layer of the mammalian subject and wherein said light source is activated to produce the light.

15

17. The method of claim 12, wherein the light step of irradiating comprises the step of providing a source is disposed external to an intact skin layer of the mammalian subject and wherein said light source is activated to produce the light.

20. The method of claims 1-5, wherein said photosensitizing agent is conjugated to a ligand.

20

19. The method of claim 18, wherein said ligand is one of an antibody and an antibody fragment that is specific in binding with the target tissue.

25

20. The method of claim 19, wherein said ligand is a peptide that is specific in binding with the target tissue.

21. The method of claim 19, wherein said ligand is a polymer that is specific in binding with the target tissue.

30

22. The method of claim 19, wherein said photosensitizer compound is selected from the group consisting of indocyanine green, methylene blue, toluidine blue, aminolevulinic acid, chlorins, phthalocyanines, porphyrins, purpurins, and texaphyrins.

5 23. The method of claim 19, wherein the step of irradiating is carried out for a time interval of from about 30 minutes to about 72 hours.

24. The method of claim 19, wherein the step of irradiating is carried out for a time interval of from about 60 minutes to about 48 hours.

10

25. The method of claim 19, wherein the step of irradiating is carried out for a time interval of from about 2 hours to about 24 hours.

15 26. The method of claim 19, wherein the total fluence of the light used for irradiating is between about 30 Joules and about 25,000 Joules.

27. The method of claim 19, wherein the total fluence of the light used for irradiating is between about 100 Joules and about 20,000 Joules.

20 28. The method of claim 19, wherein the total fluence of the light used for irradiating is between about 500 Joules and about 10,000 Joules.

29. The method of claim 9, wherein said irradiating step is transcutaneous irradiation.

25

30. The method of claim 9, wherein said irradiating step is interstitial transillumination irradiation.

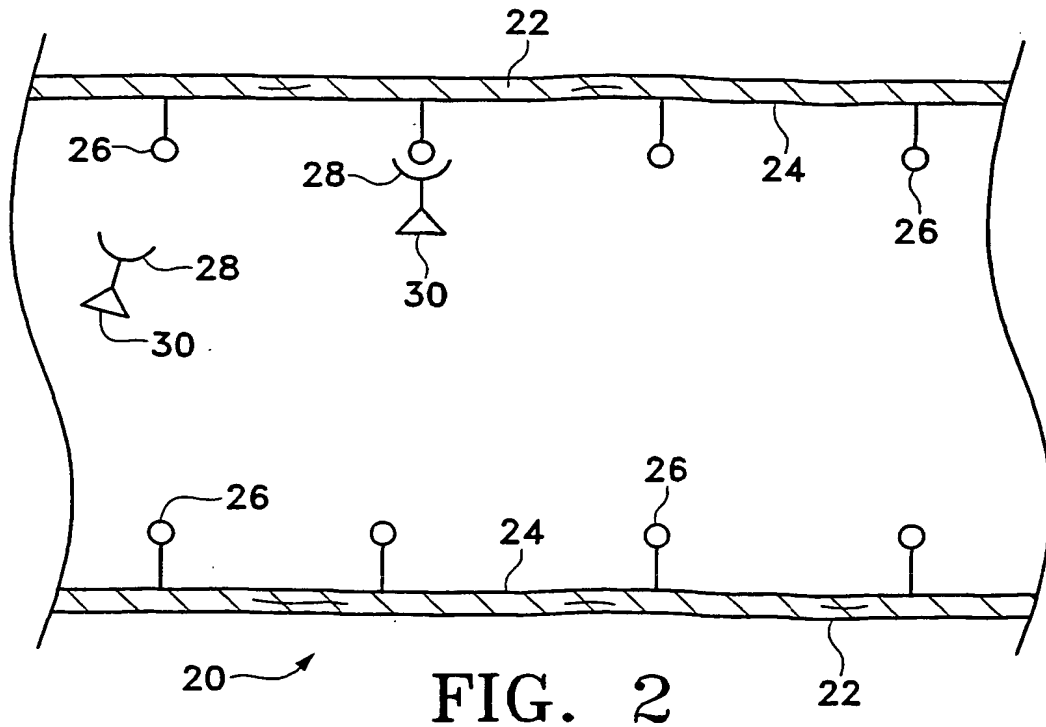
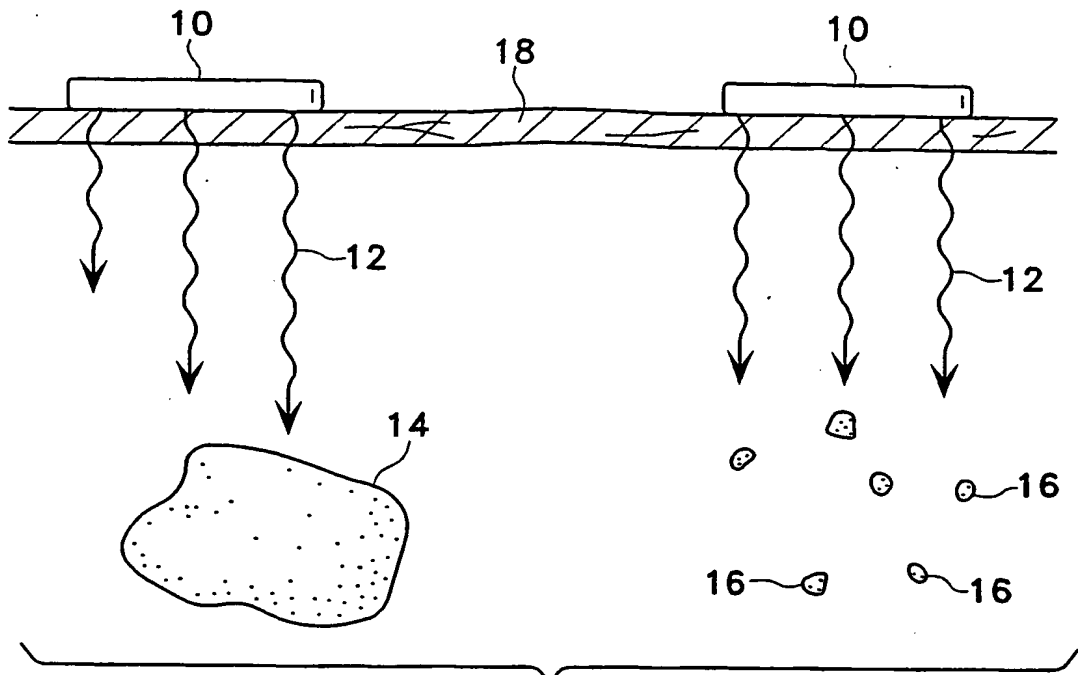
31. The method of claim 9, wherein said irradiating step is organ
30 transillumination irradiation.

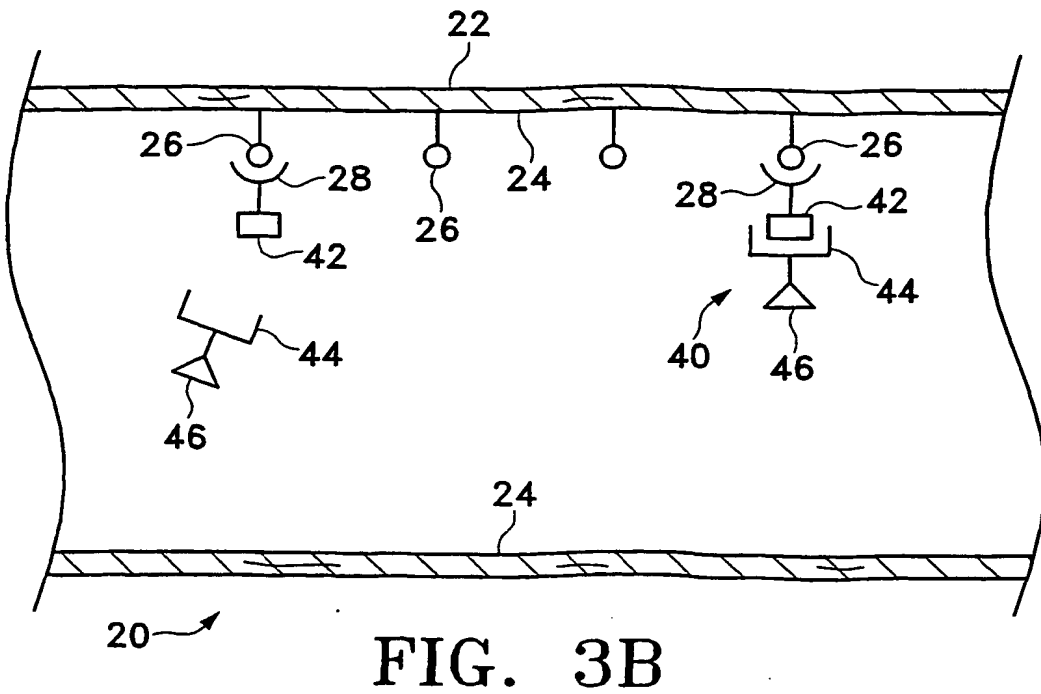
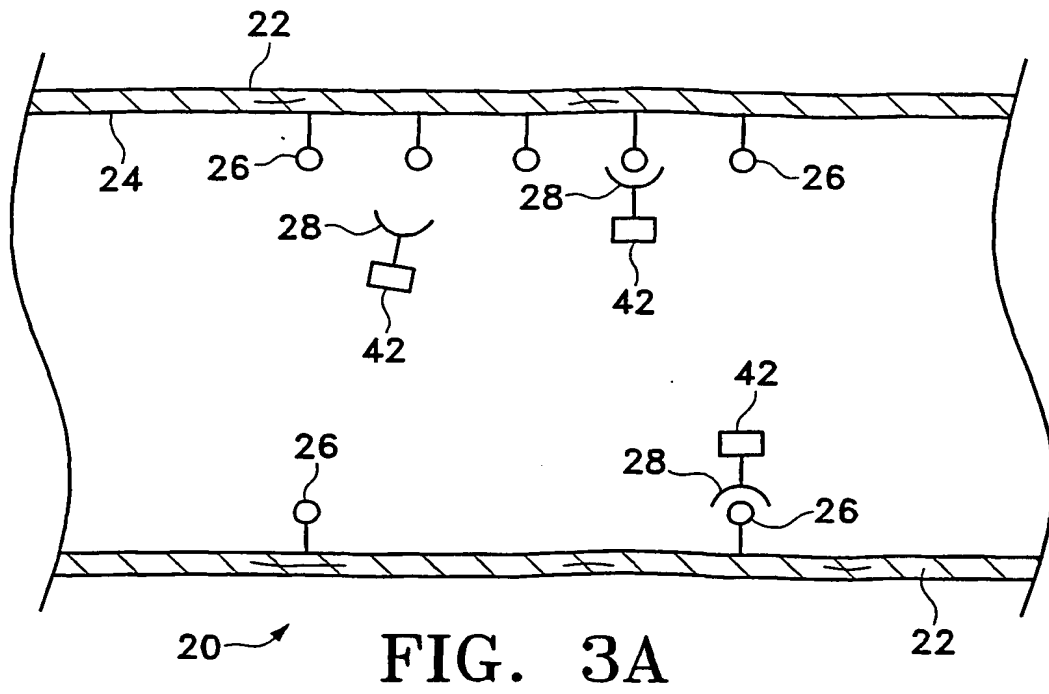
32. The method of claims 1-5, wherein said photosensitizer compound clears from normal tissues within about 2 hours to about 96 hours.

33. The method of claims 1-5, wherein said photosensitizer compound is
5 selected from the group consisting of: texaphryins and chlorophylls.

34. The method of claim 33, wherein said photosensitizer compound is
texaphyrin or lutetium texaphyrin.

10 35. The method of claim 33, wherein said photosensitizer compound is a
bacteriochlorophyll.





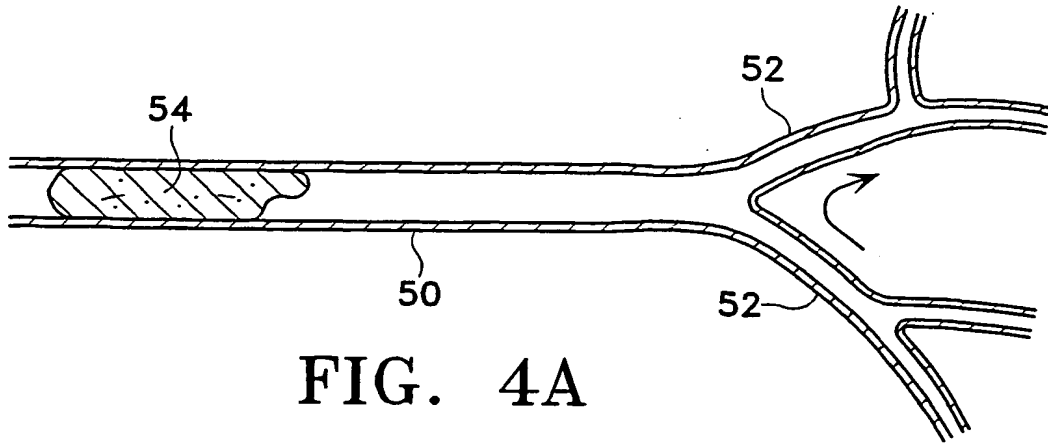


FIG. 4A

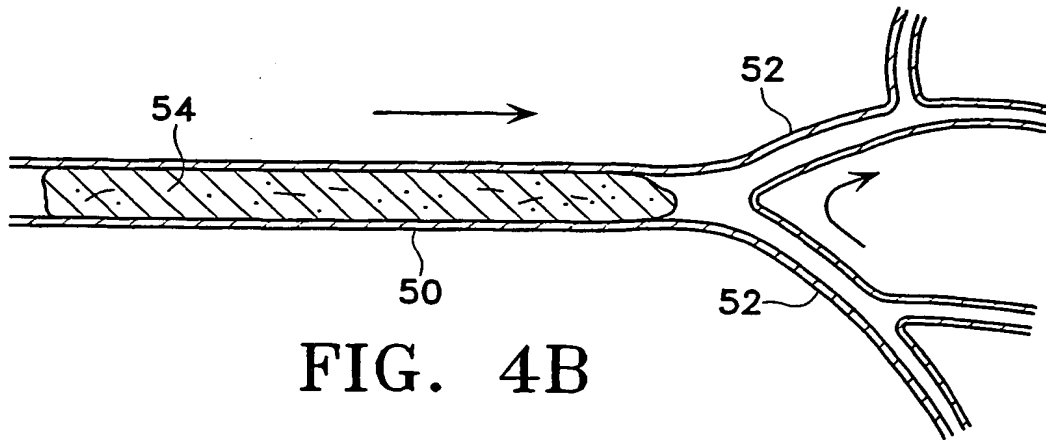


FIG. 4B

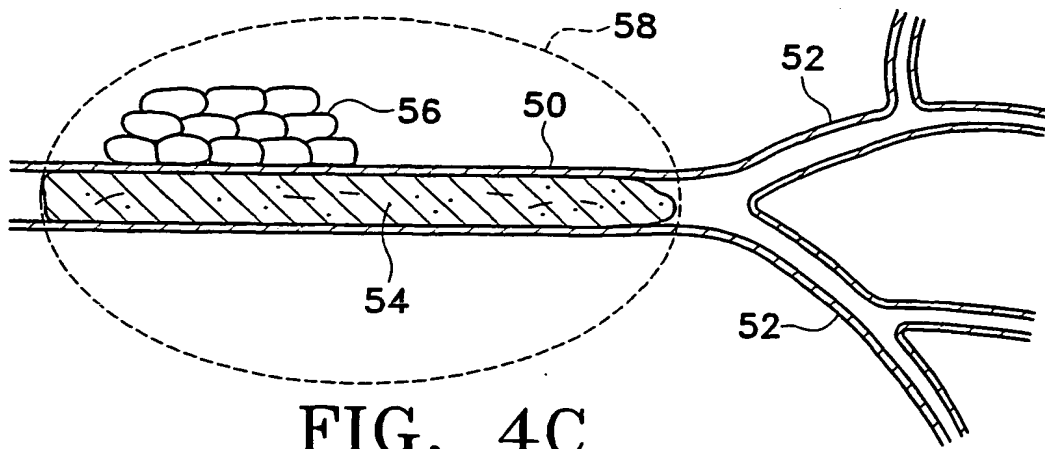


FIG. 4C

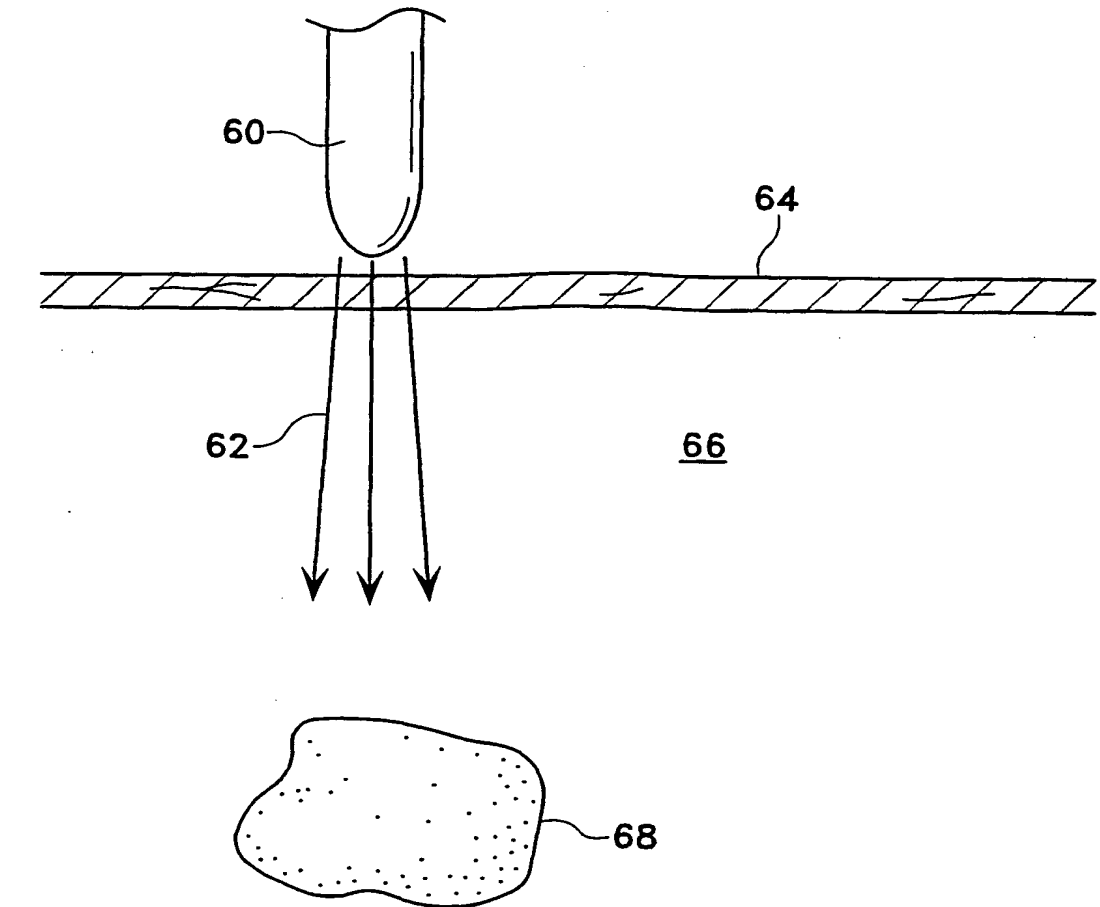


FIG. 5

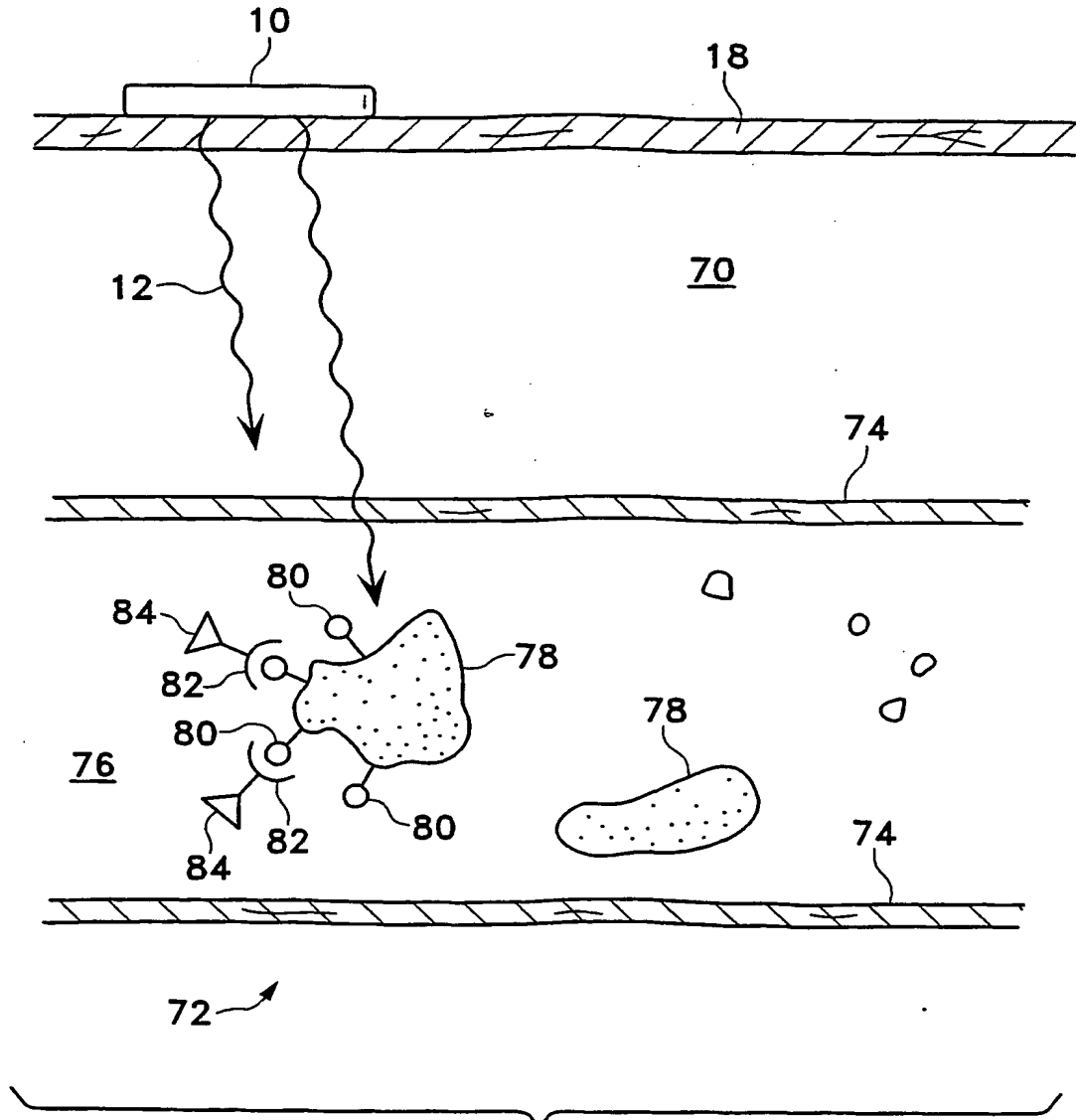


FIG. 6

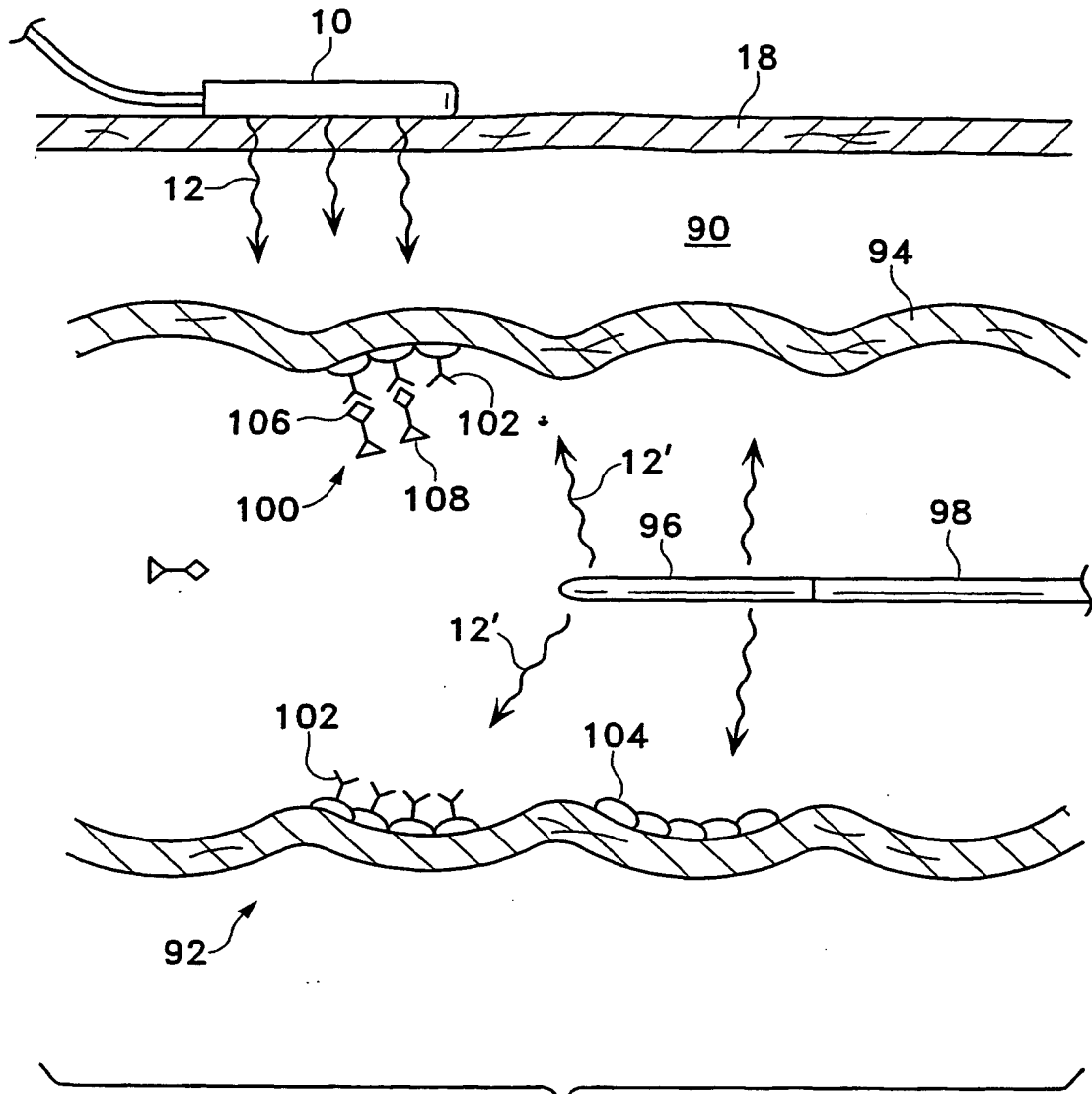


FIG. 7

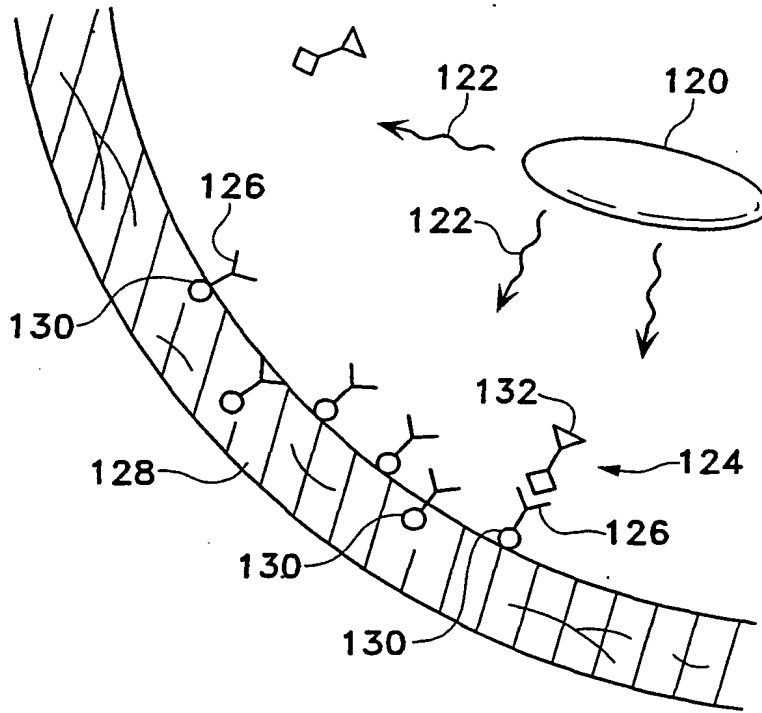
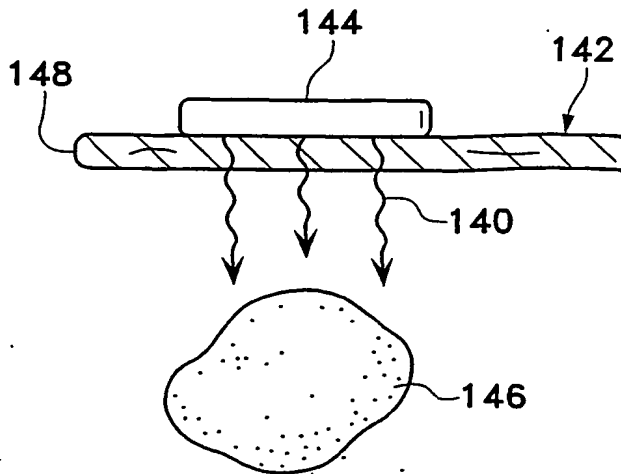
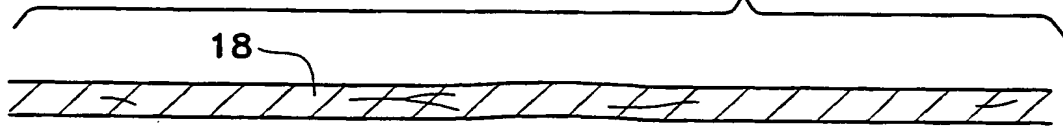


FIG. 8

FIG. 9



8/14

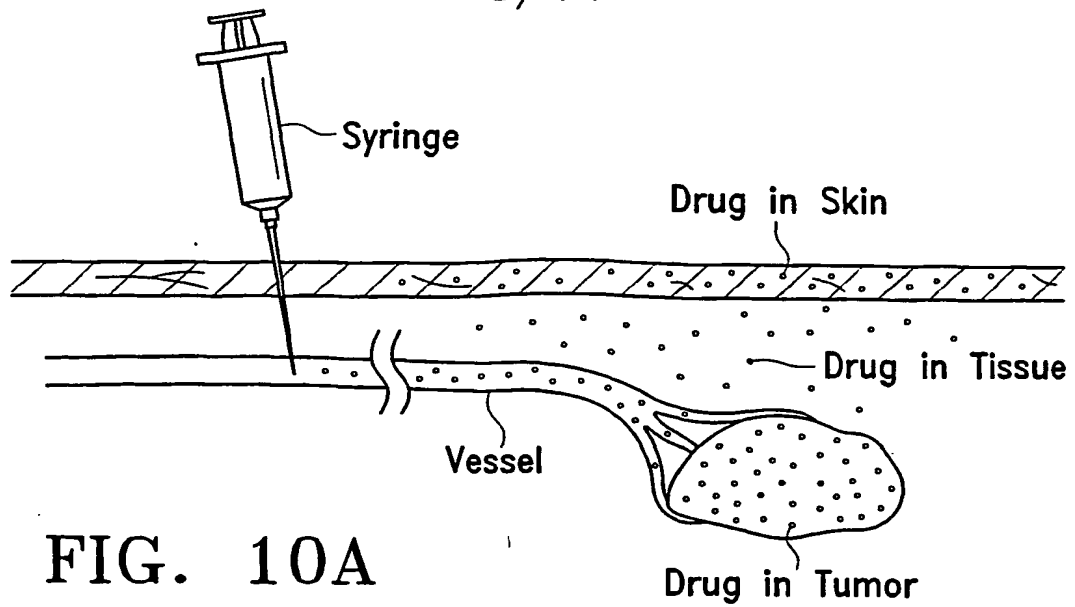


FIG. 10A

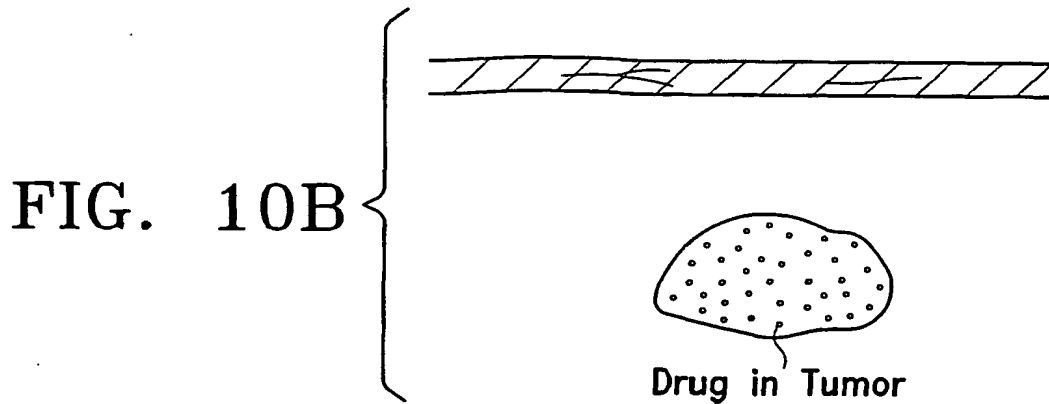


FIG. 10B

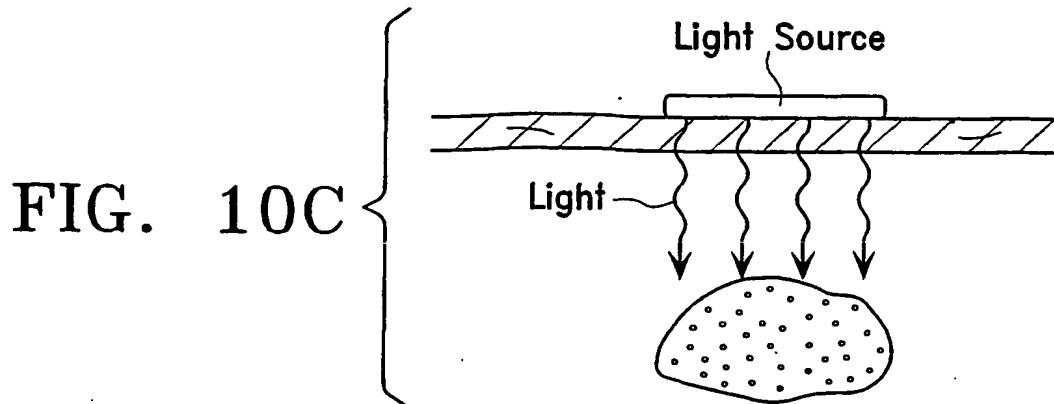


FIG. 10C

9/14

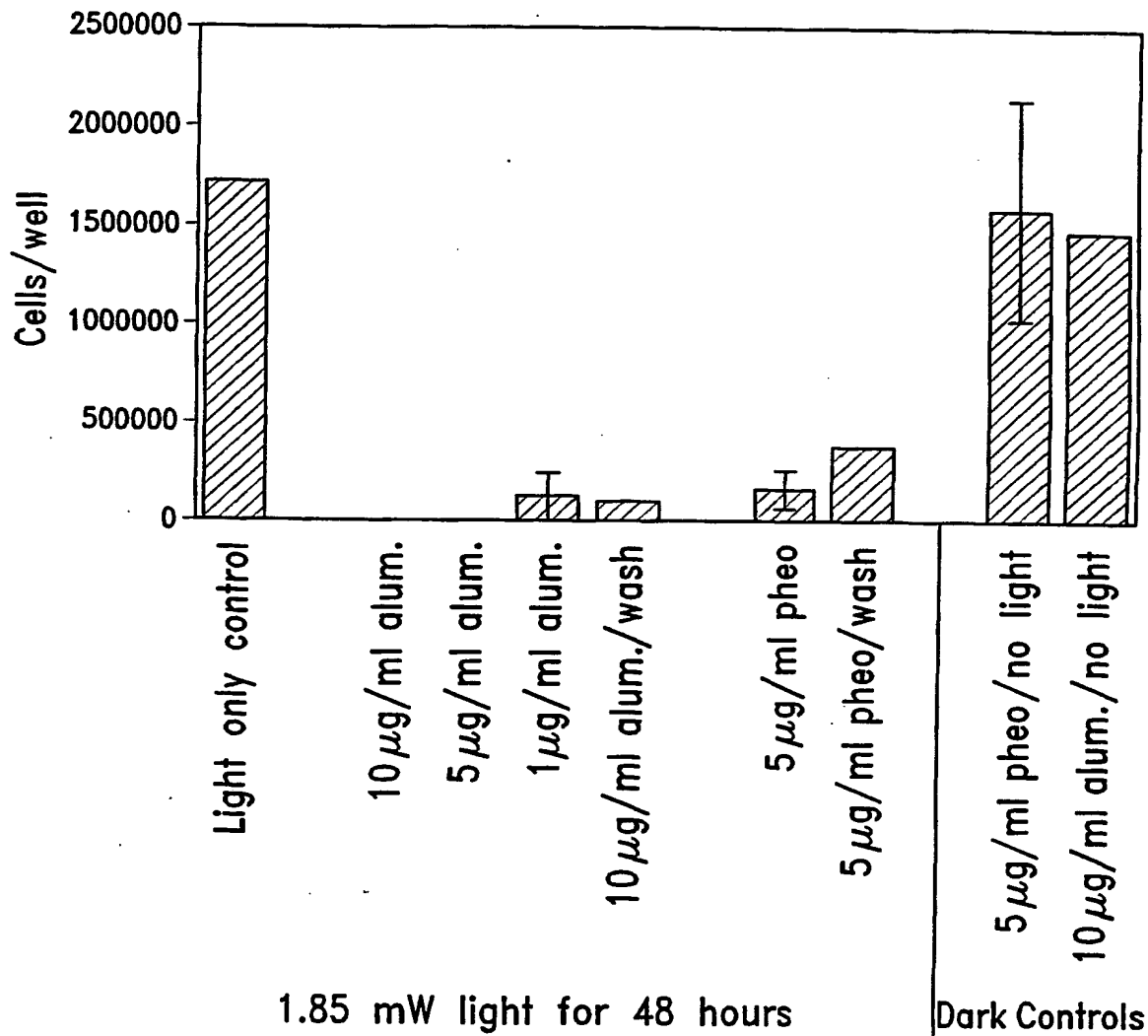


FIG. 11

10/14

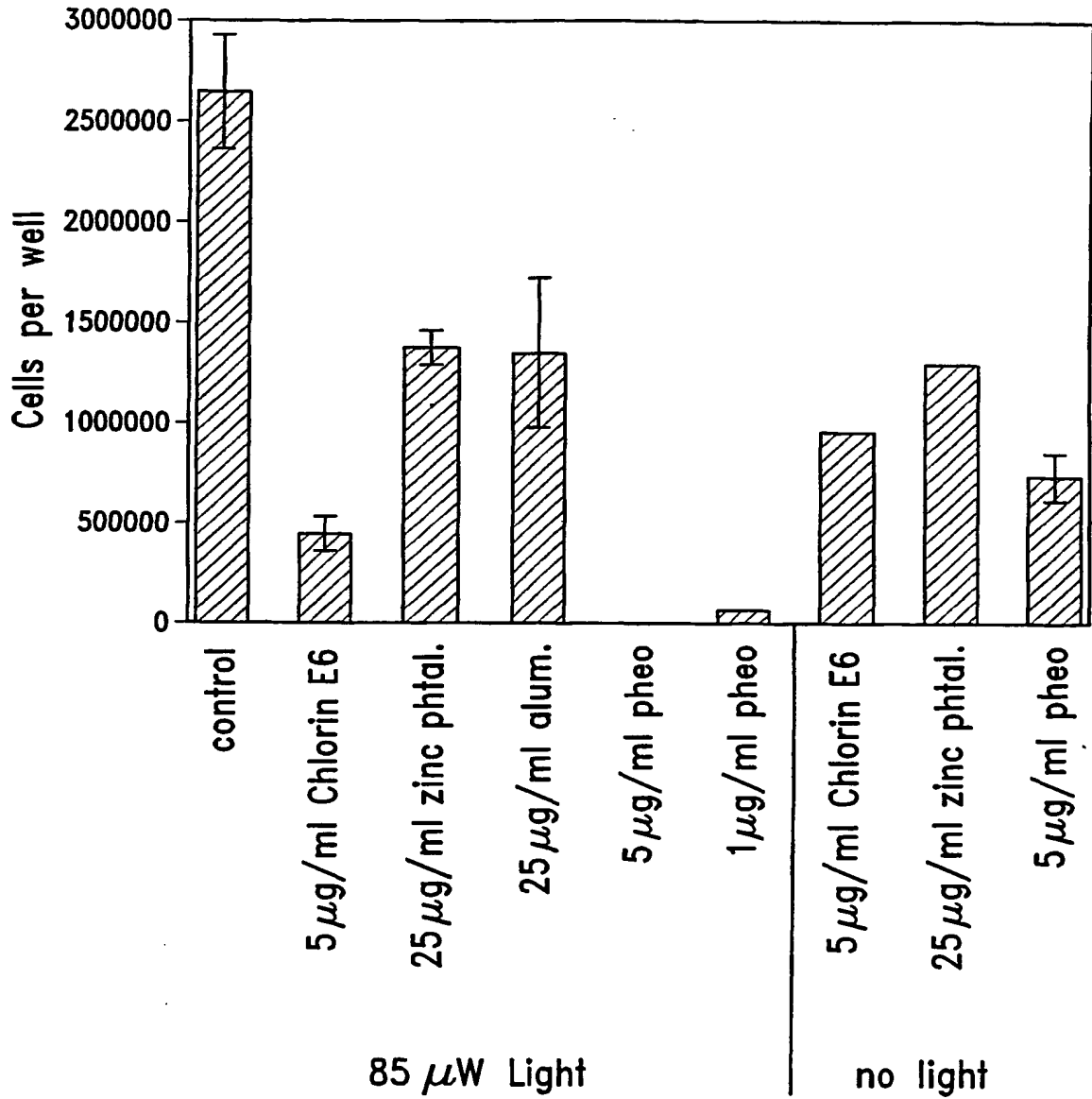


FIG. 12

11/14

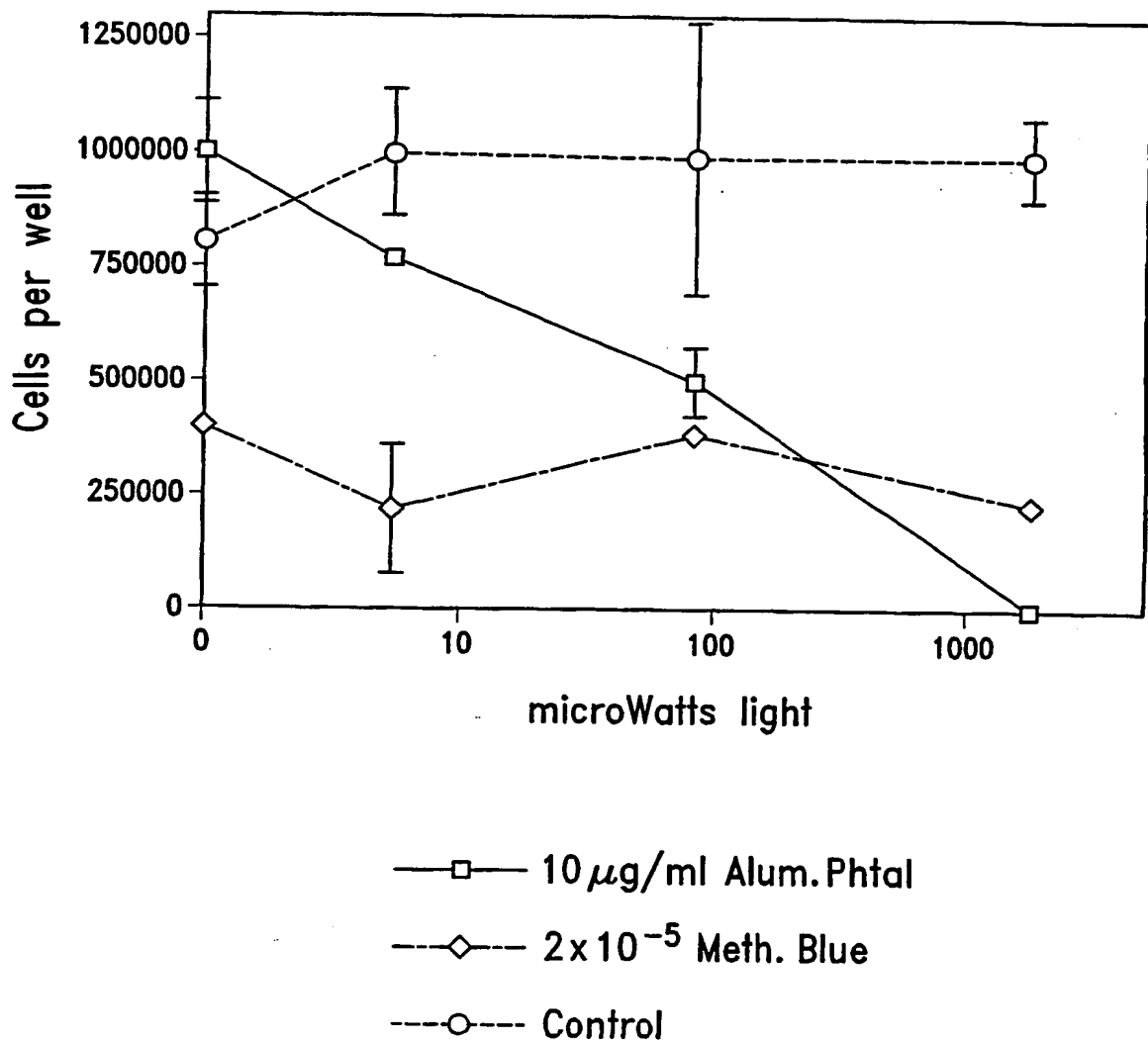


FIG. 13

12/14

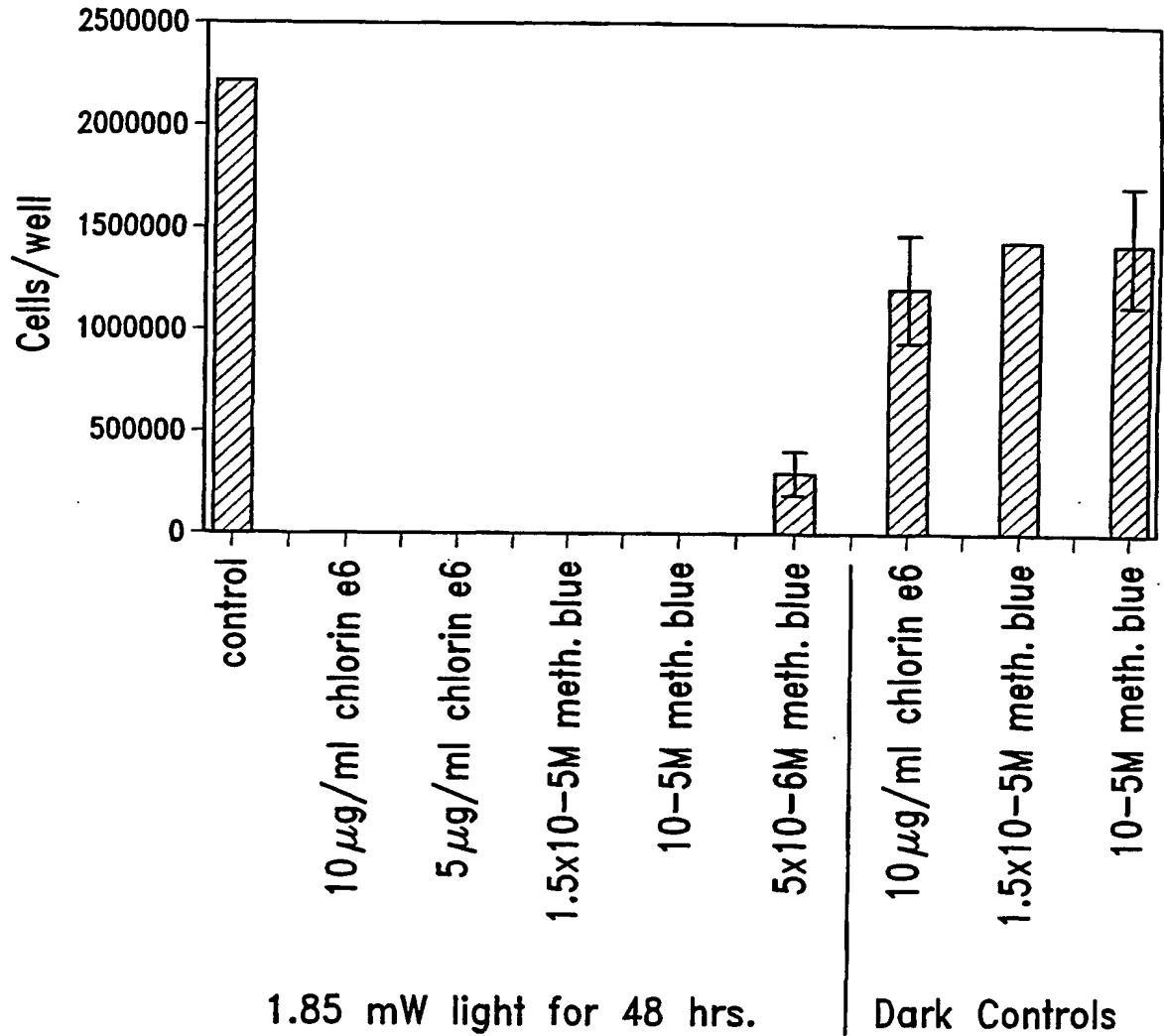


FIG. 14

13/14

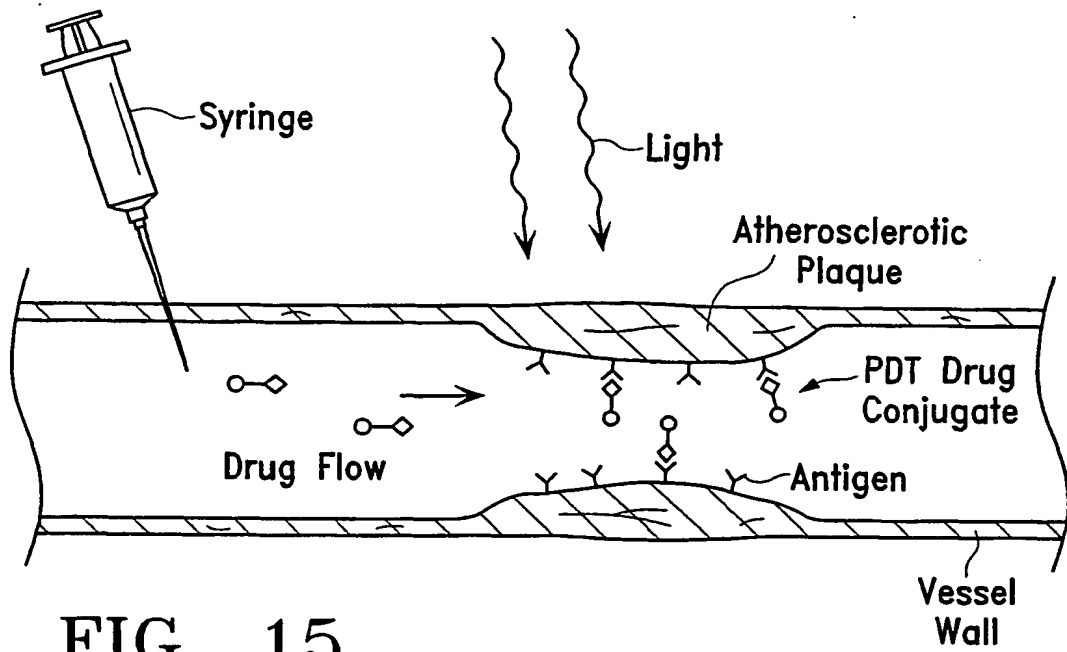


FIG. 15

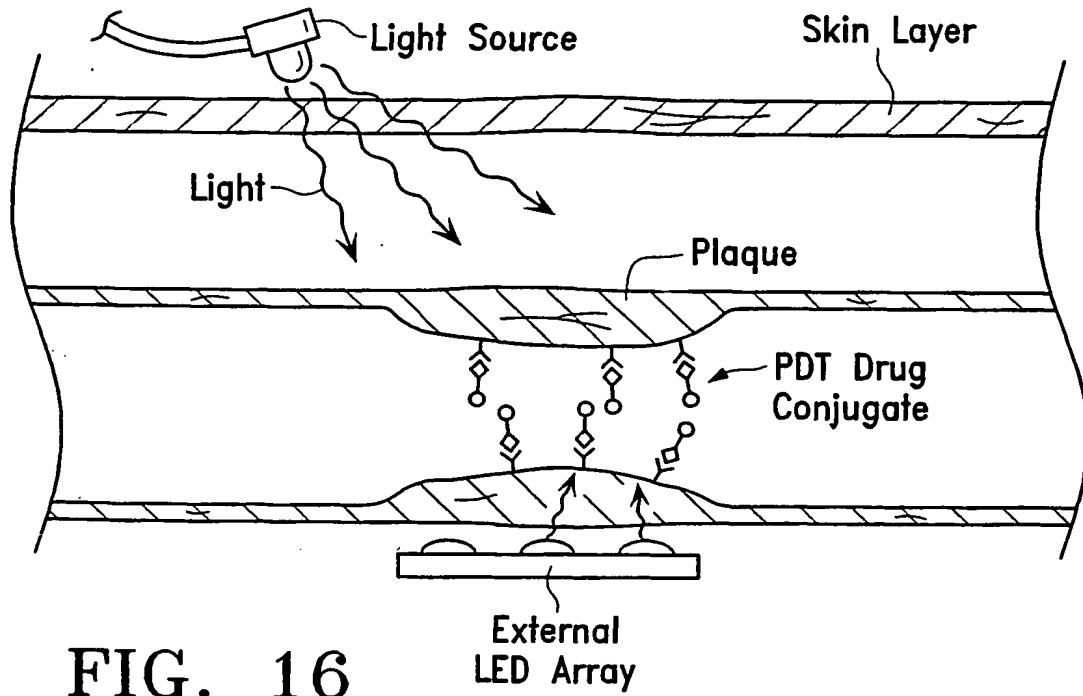


FIG. 16

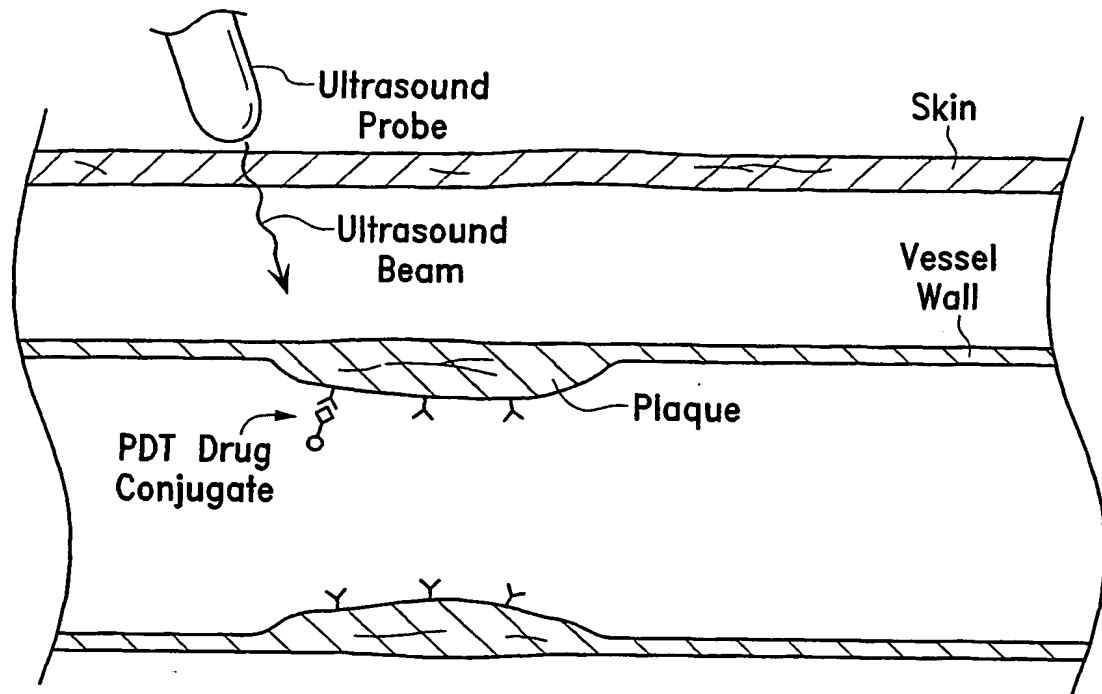


FIG. 17

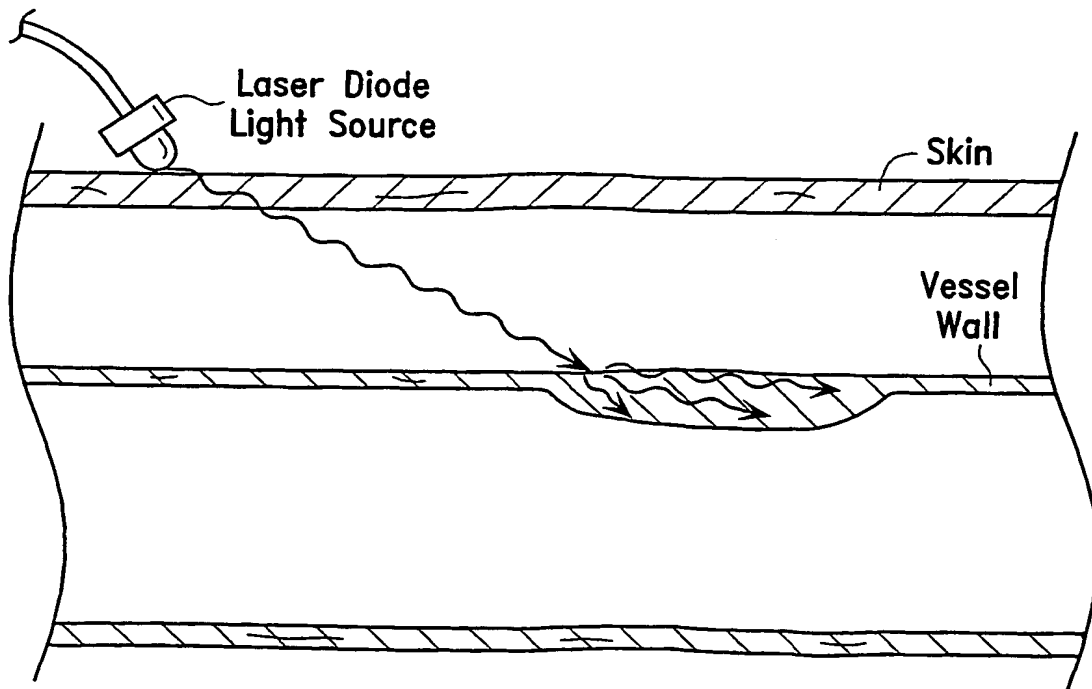


FIG. 18

INTERNATIONAL SEARCH REPORT

International application No.
PCT/US00/24120

A. CLASSIFICATION OF SUBJECT MATTER
IPC(7) : A61K 31/40
US CL :
According to International Patent Classification (IPC) or to both national classification and IPC

B. FIELDS SEARCHED
Minimum documentation searched (classification system followed by classification symbols)
U.S. : 514/410, 885, 908

Documentation searched other than minimum documentation to the extent that such documents are included in the fields searched

Electronic data base consulted during the international search (name of data base and, where practicable, search terms used)
Please See Extra Sheet.

C. DOCUMENTS CONSIDERED TO BE RELEVANT

Category*	Citation of document, with indication, where appropriate, of the relevant passages	Relevant to claim No.
X -,P A	US 6,107,325 A (CHAN et al.) 22 August 2000 (22.08.00), see abstract, column 1, lines 14-20, column 1, lines 39-54, especially column 3, lines 26-44, column 3, line 62 to column 4, line 38, column 7, line 6-15, column 8, lines 9-12, tables 3 and 4	1-33 ---- 34-35
X -,P A	US 6,100,290 A (LEVY et al.) 08 August 2000 (08.08.00) see abstract, column 1, lines 14-24, column 1, line 57 to column 2, line 10, column 2, lines 37-59, column 3, line 55 to column 4, line 15, column 5, lines 31-38, column 6, lines 8-13, column 9, lines 11-46	1-33 ---- 34-35
A,P	US 6,083,485 A (LICHA et al.) 04 July 2000 (04.07.00) See entire document, especially column 2, lines 18-29	1-35

Further documents are listed in the continuation of Box C. See patent family annex.

* Special categories of cited documents:	*T* later document published after the international filing date or priority date and not in conflict with the application but cited to understand the principle or theory underlying the invention
A document defining the general state of the art which is not considered to be of particular relevance	*X* document of particular relevance; the claimed invention cannot be considered novel or cannot be considered to involve an inventive step when the document is taken alone
E earlier document published on or after the international filing date	*Y* document of particular relevance; the claimed invention cannot be considered to involve an inventive step when the document is combined with one or more other such documents, such combination being obvious to a person skilled in the art
L document which may throw doubts on priority claim(s) or which is cited to establish the publication date of another citation or other special reason (as specified)	*&* document member of the same patent family
O document referring to an oral disclosure, use, exhibition or other means	
P document published prior to the international filing date but later than the priority date claimed	

Date of the actual completion of the international search 29 SEPTEMBER 2000	Date of mailing of the international search report 26 OCT 2000
--	--

Name and mailing address of the ISA/US Commissioner of Patents and Trademarks Box PCT Washington, D.C. 20231 Facsimile No. (703) 305-3230	Authorized officer <i>my means</i> DONNA JAGOE Telephone No. (703) 308-1235
---	--

INTERNATIONAL SEARCH REPORT

International application No.

PCT/US00/24120

C (Continuation). DOCUMENTS CONSIDERED TO BE RELEVANT

Category*	Citation of document, with indication, where appropriate, of the relevant passages	Relevant to claim No.
X	US 5,942,534 A (TRAUNER et al.) 24 August 1999 (24.08.99) see abstract, column 2, line 34 to column 4, line 7, column 4, lines 19-27	1-35
X ----- A	US 5,882,328 (LEVY et al.) 16 March 1999 (16.03.99) see entire document.	1-33 ----- 34-35
X ----- A	US 5,807,881 A (LEONG et al.) 15 September 1998 (15.09.98) column 1, lines 10-20, column 2, lines 17-31, column 4, lines 62-67, column 5, lines 24-32	1-33 ----- 34-35
Y	US 5,736,563 A (RICHTER, A.) 07 April 1998 (07.04.98) see abstract, column 1, lines 10-16, column 2, lines 29-36, column 3, lines 42-58, column 4, lines 24-37, see claims 1-4	1-35
Y ----- A	US 5,484,778 A (KENNEY et al.) 16 January 1996 (16.01.96) see entire document	1-33 ----- 34-35

Form PCT/ISA/210 (continuation of second sheet) (July 1998)*

INTERNATIONAL SEARCH REPORT

International application No.

PCT/US00/24120

B. FIELDS SEARCHED

Electronic data bases consulted (Name of data base and where practicable terms used):

WEST 2.0 search terms, indocyanine green, methylene blue, toluidine blue, aminolevulinic acid, chlorins, phthalocyanines, porphyrins, purpurins, texaphyrins, chlorophyll, bacteriochlorophyll, photosensit?, irradiation, transcutaneous, transilluminat?, light, tumor, bone marrow, autoimmune, inflam?, joules

